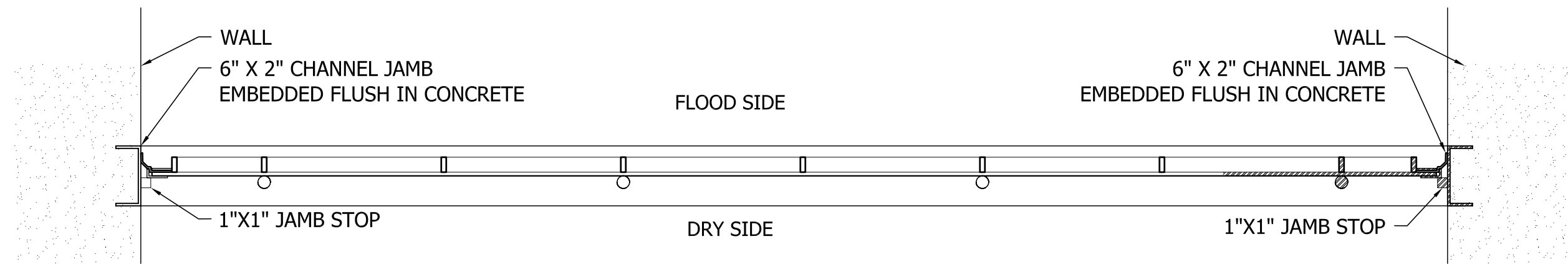

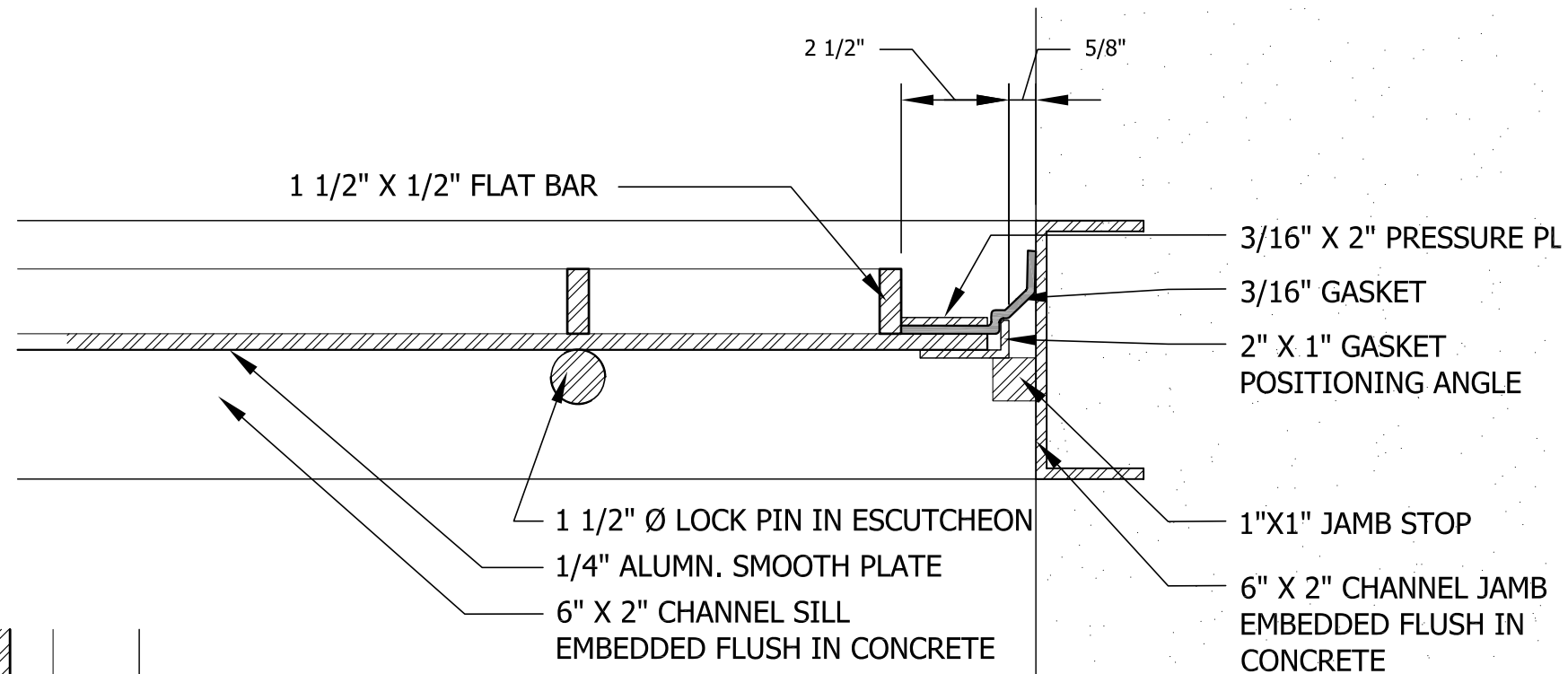


ELEVATION DRY SIDE

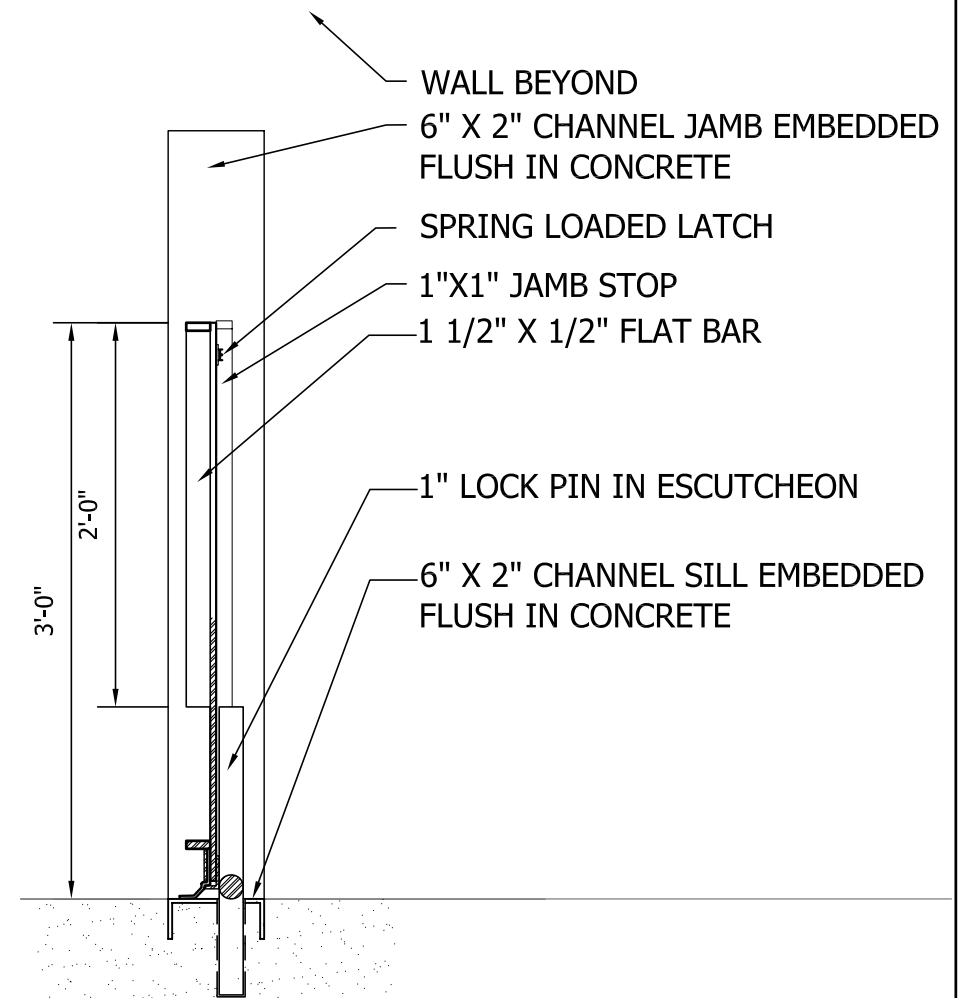


HORIZONTAL SECTION

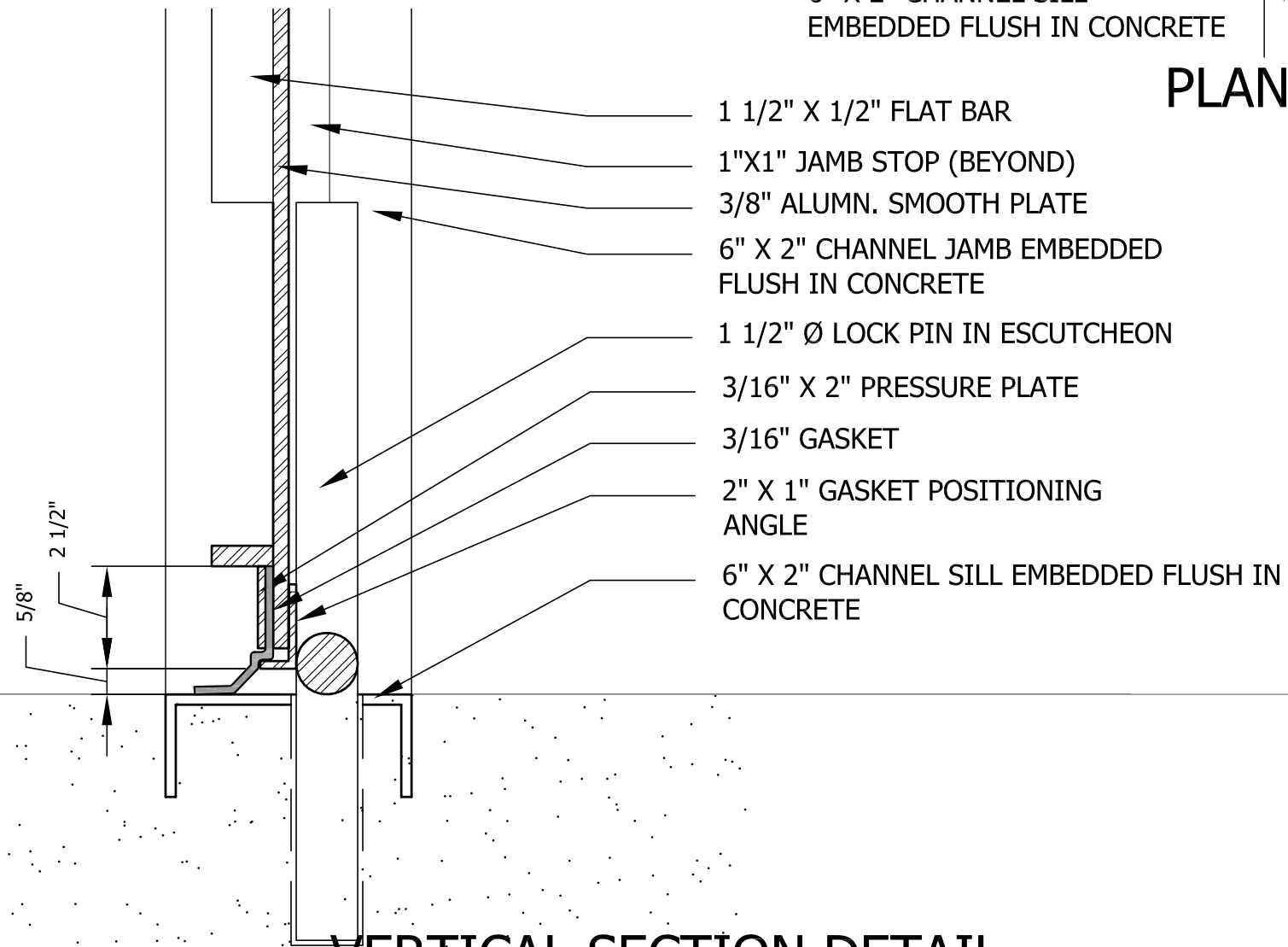
 <p>FloodBreak</p> <p>Revolutionary Flood Control</p> <p><i>Automatic Floodgates - no people, no power!</i></p>	PANEL GATE	
	FLOODBREAK SERIAL #	
	TYPICAL ELEVATION SECTIONS	
	SCALE:	1" = 1'-0"
	DRAWN BY:	CWJJ
DATE:		06-25-06
SHEET:		1 OF




PLAN DETAIL

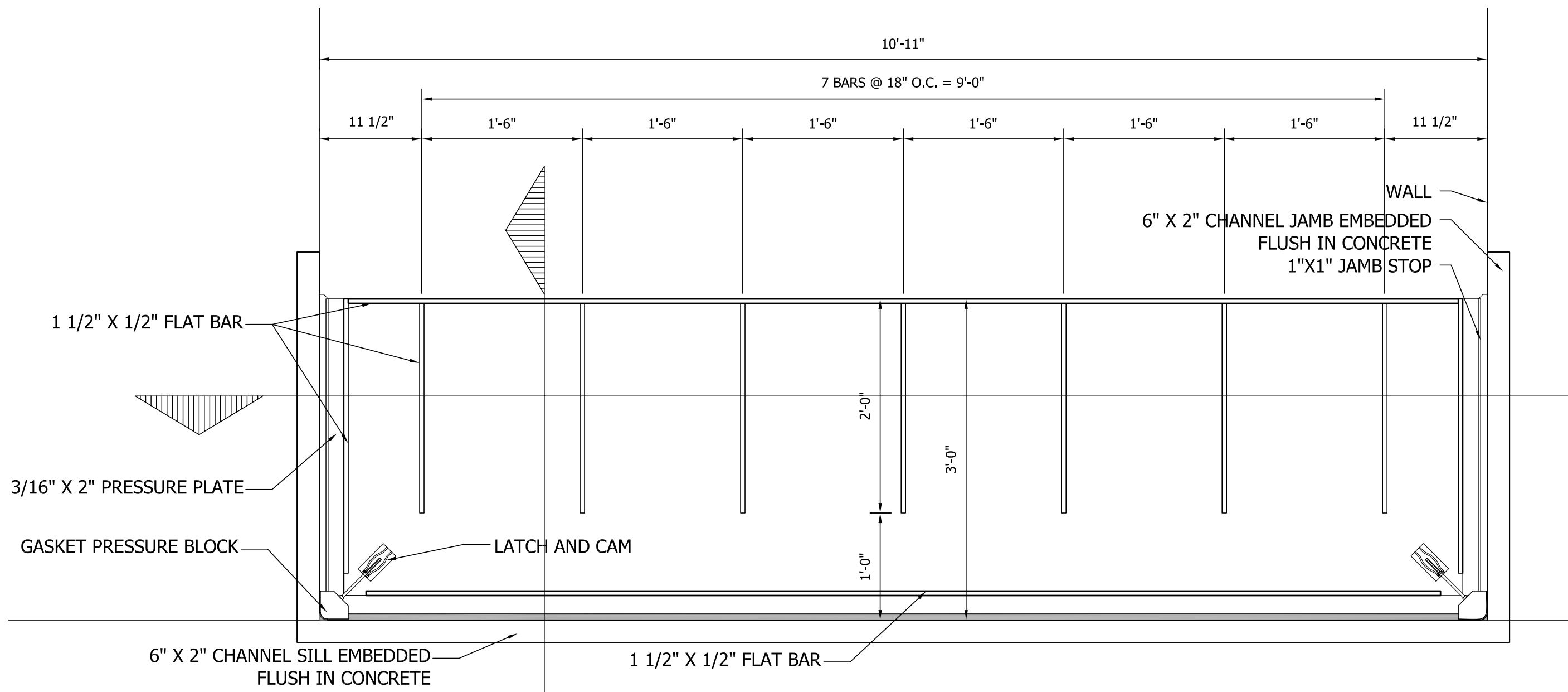


VERTICAL SECTION




VERTICAL SECTION DETAIL

 FloodBreak Revolutionary Flood Control <i>Automatic Floodgates - no people, no power!</i>	PANEL GATE	
	FLOODBREAK SERIAL #	
SCALE:	3" = 1'-0"	DETAILS
DRAWN BY:	CWJJ	DATE: 06-25-06
		SHEET: 3 OF



ELEVATION FLOOD SIDE

 <p>Revolutionary Flood Control <i>Automatic Floodgates - no people, no power!</i></p>	PANEL GATE	
	FLOODBREAK SERIAL #	
	TYPICAL ELEVATION SECTIONS	
	SCALE:	1" = 1'-0"
DRAWN BY:	CWJJ	DATE: 06-25-06
		SHEET: 2 OF