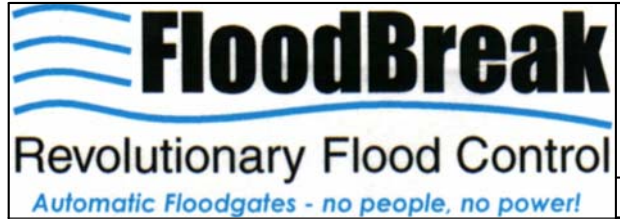


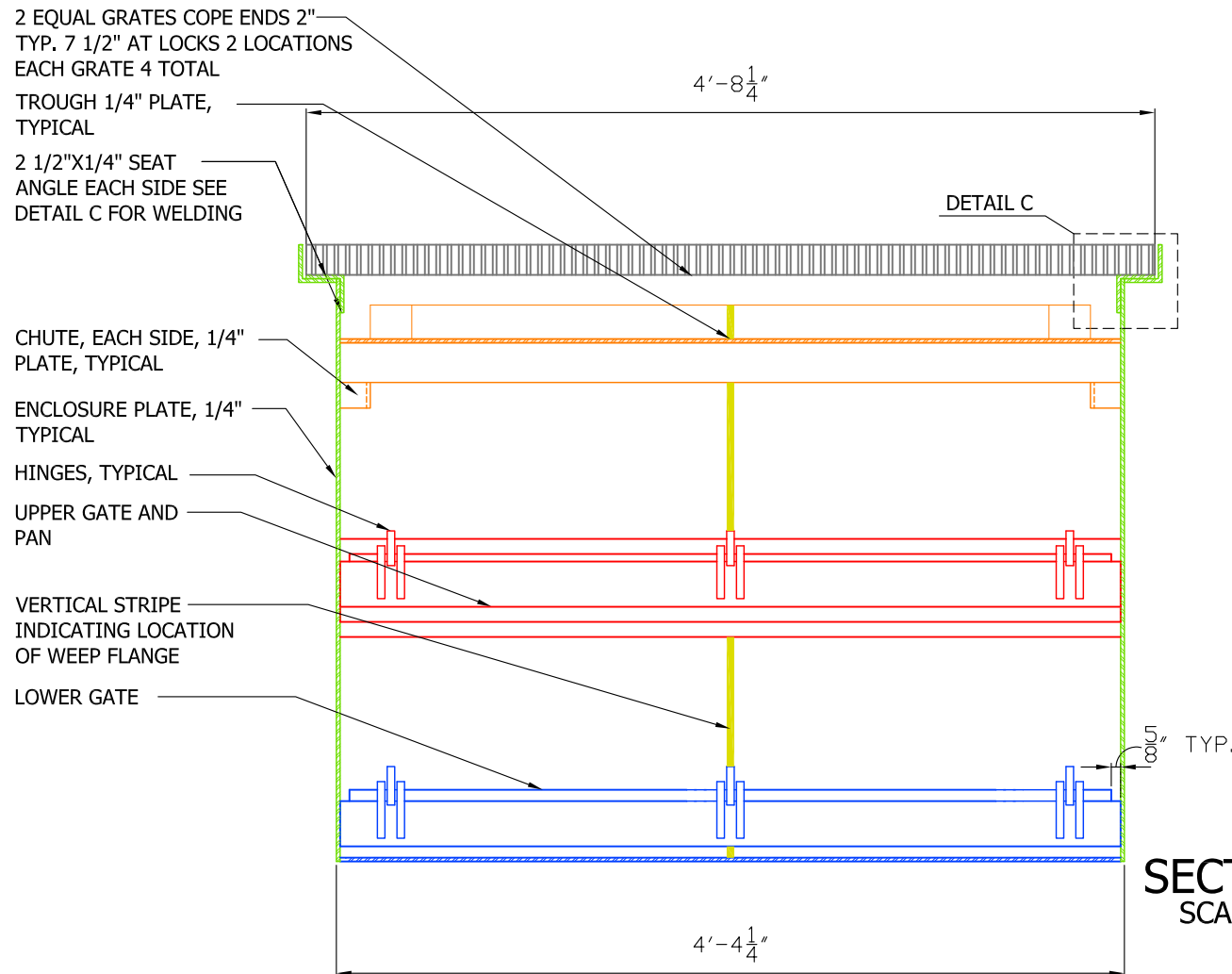
NOTES:

1. FLOODGATE MATERIALS:
 -GATES (1/8") AND ALL (1/4") ALUMINUM SMOOTH PLATE - ALUMINUM GRADE 5052 MIN F_Y= 30 KSI
 -FLAT BARS, STRUCTURAL ANGLES, HINGES - ALUMINUM GRADE 6061-T6 MIN F = 40 KSI
2. ALL BOLTS TO BE STAINLESS STEEL - GRADE 304, MIN F_Y= 90 KSI
3. ALUMINUM TO BE WELDED WITH ALUMINUM WIRE - ER 4043 AWS A5.10 3/32
4. ALL WELDS REQUIRED FOR STRUCTURAL STRENGTH OF THE TWO GATES AND ENCLOSURE ARE CALLED OUT ON THESE DRAWINGS. ALL OTHER WELDING, NOT SHOWN OR CALLED OUT ON THESE DRAWINGS, ARE ESSENTIALLY NON-STRUCTURAL WELDS OR WELDS WITH NEGLIGIBLE LOADS AND RESULTING STRESSES. EXAMPLES OF SUCH WELDS ARE AT SEAMS OF ENCLOSURE AND GATE PLATES AND TROUGH. THESE WELDS ARE TO BE SELECTED BY THE FABRICATOR, TAKING INTO CONSIDERATION ASSEMBLY, TRANSPORT AND CONTINUITY REQUIREMENTS, AND MUST BE APPROVED BY FLOODBREAK.
5. GASKET IS EPDM RUBBER.
6. BOTH GATES ARE FILLED WITH FROTH-PAK 180 POLYURETHANE HIGH DENSITY CLOSED CELL FOAM AT 1.75 PCF.

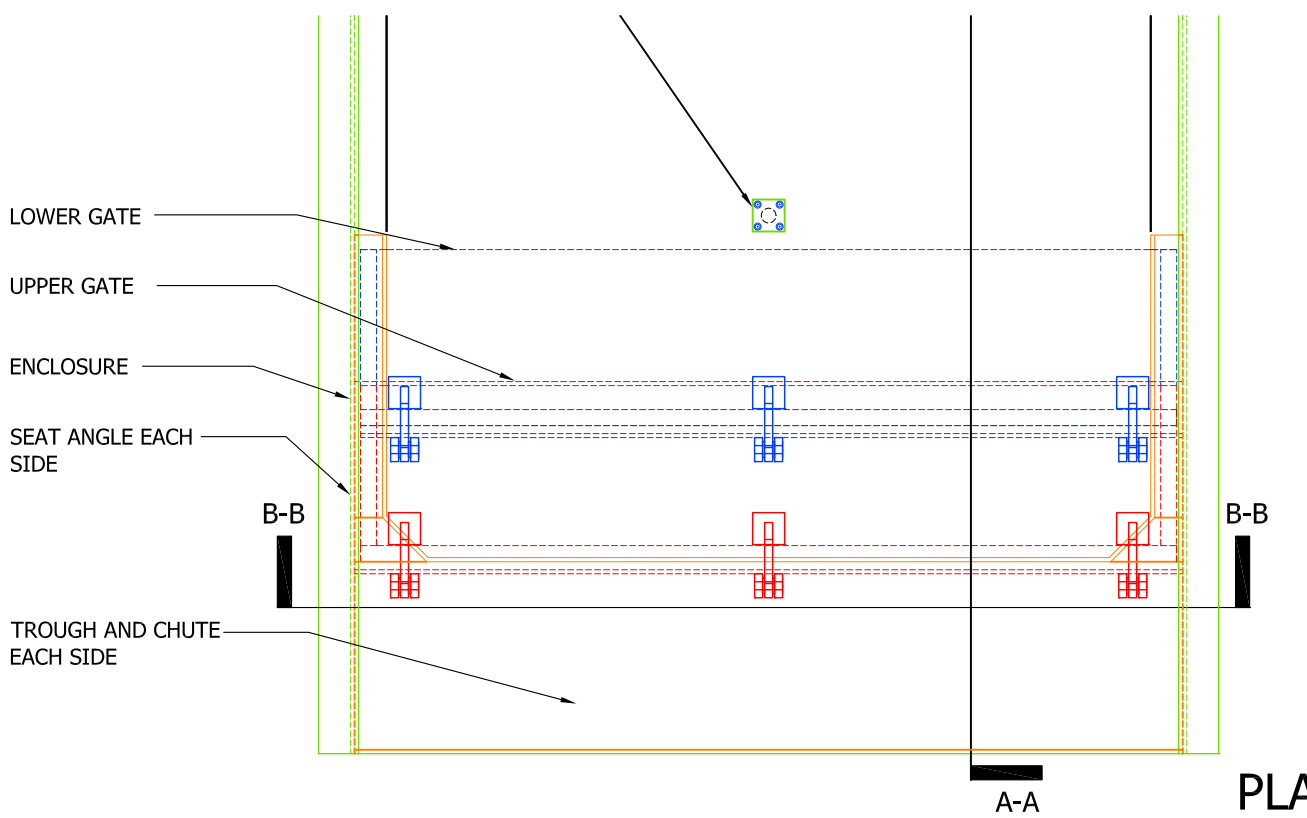


VIEW OF FLOOD BARRIER WITH LOWER PART OF THE FRONT VERTICAL PLATE REMOVED TO SHOW THE TWO GATES

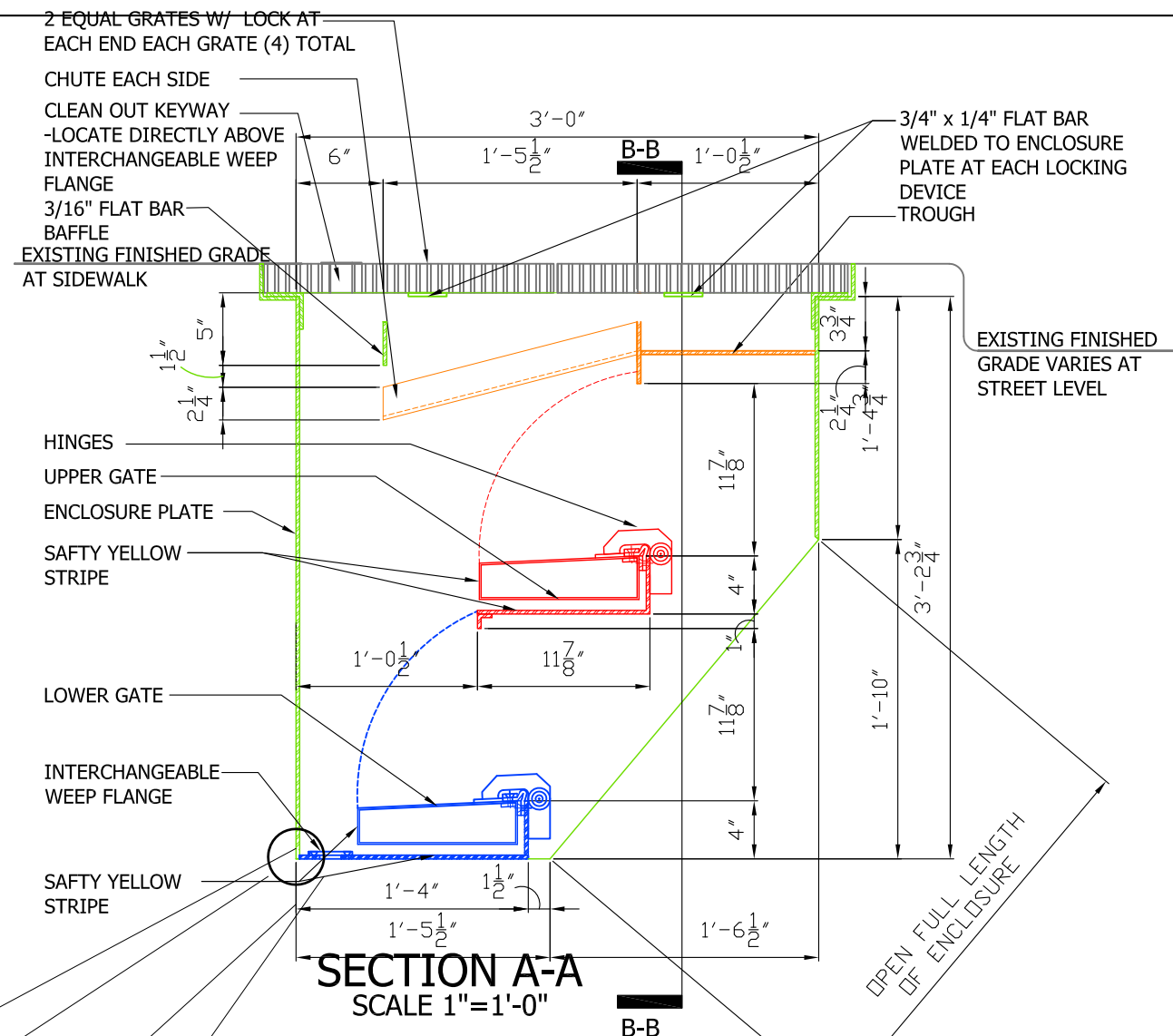
| | | |
|---|--------------------------------------|---------------------------|
|  | EXAMPLE | |
| | 2'-11 3/4" X 4'-3 1/2" FLOOD BARRIER | |
| | <small>PATENT PENDING</small> | FLOODBREAK SERIAL # 00001 |
| SCALE: | N.T.S. | COVER SHEET |
| DRAWN BY: | CWJJ/CR | DATE: 08-05-08 |
| CHECKED BY: | JK | SHEET: 1 OF 5 |



SECTION B-B
SCALE 1"=1'-0"



PLAN VIEW
SCALE 1"=1'-0"



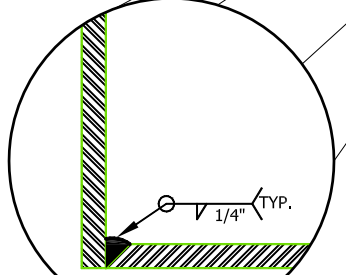
SECTION A-A
SCALE 1"=1'-0"

NOTES:

1. MTA OPENING CLEAR DIMENSIONS = 52" X 36".
2. FLOODBREAK ENCLOSURE OUTSIDE DIMENSIONS EXCLUDING SEAT ANGLES = 51 1/2" X 35 3/4".

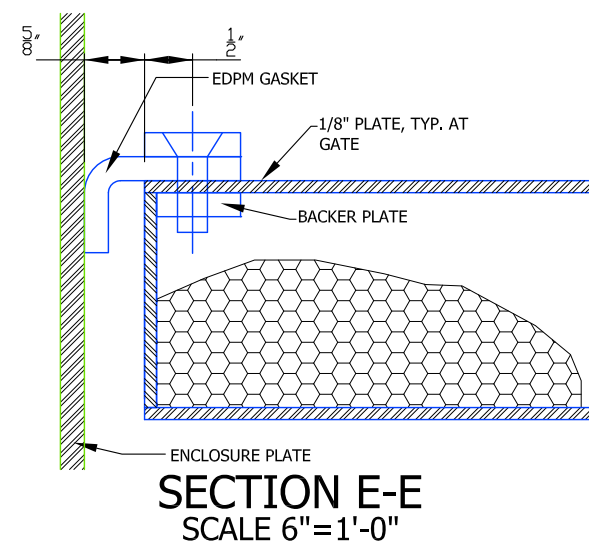
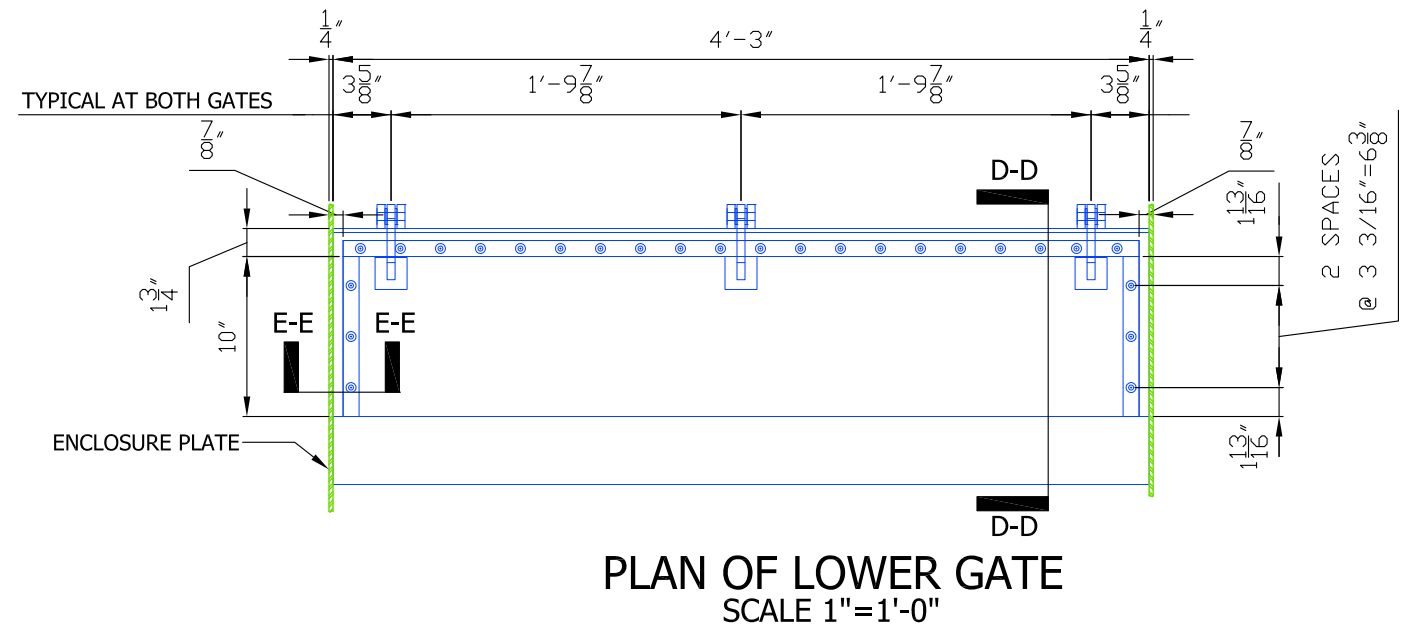
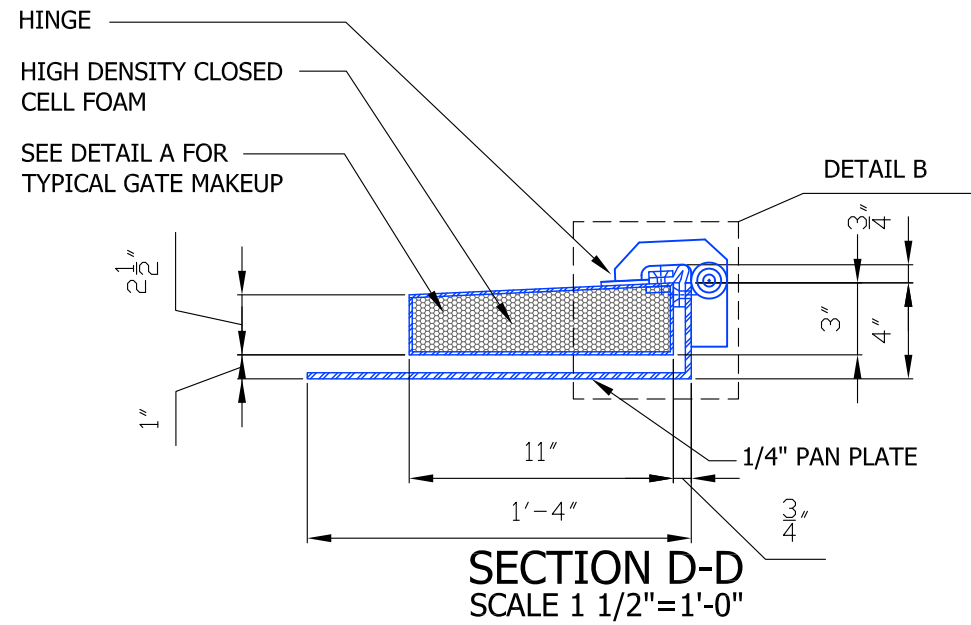
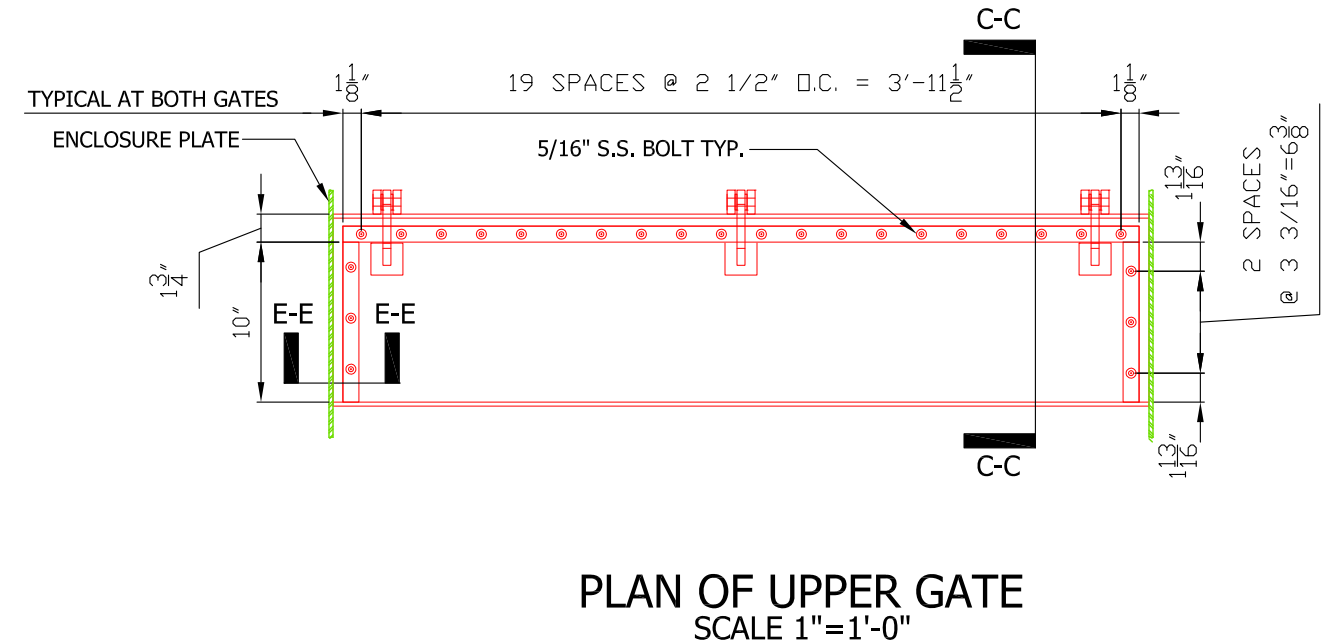
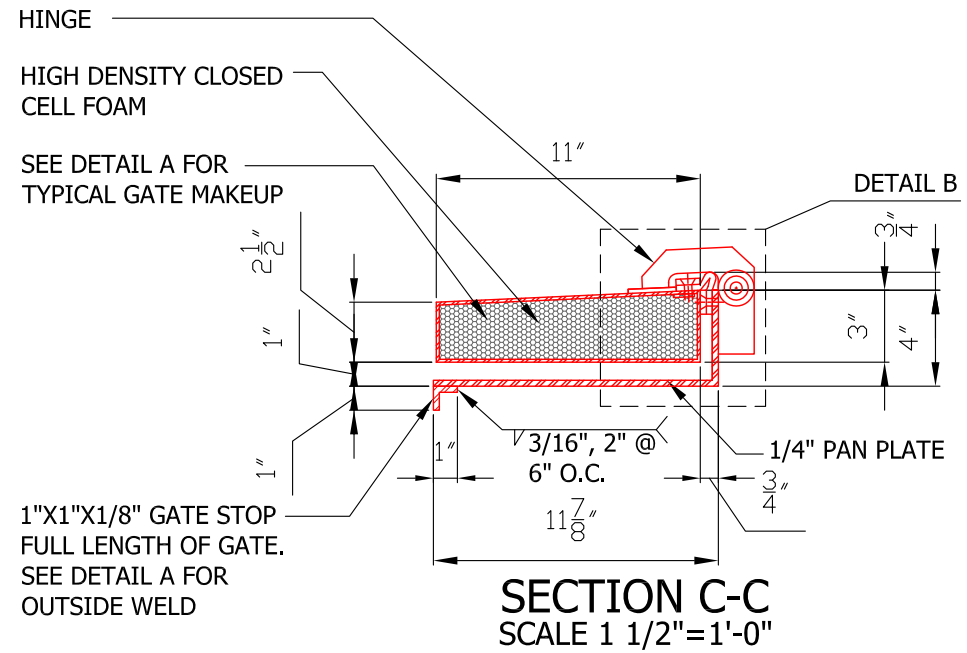
COLOR LEGEND:

- GREEN-** ENCLOSURE PLATE, ANGLES AND DRAIN
- ORANGE-** TROUGH AND CHUTES
- RED-** UPPER GATE AND PAN
- BLUE-** LOWER GATE

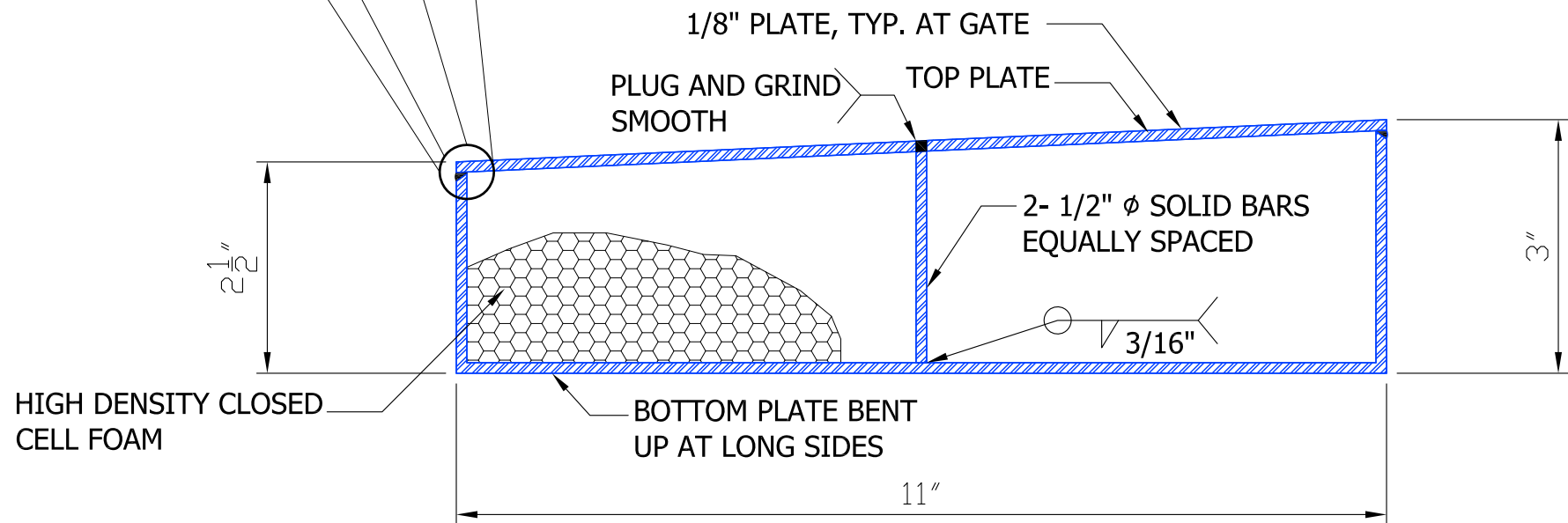
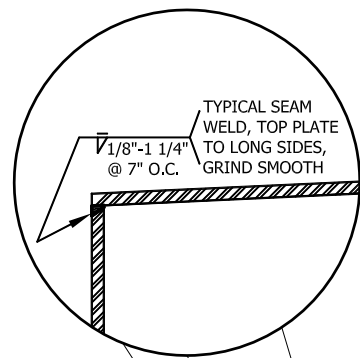


TYPICAL WELD AT ALL 1/4" PLATE U.N.O.
SCALE 6"=1'-0"

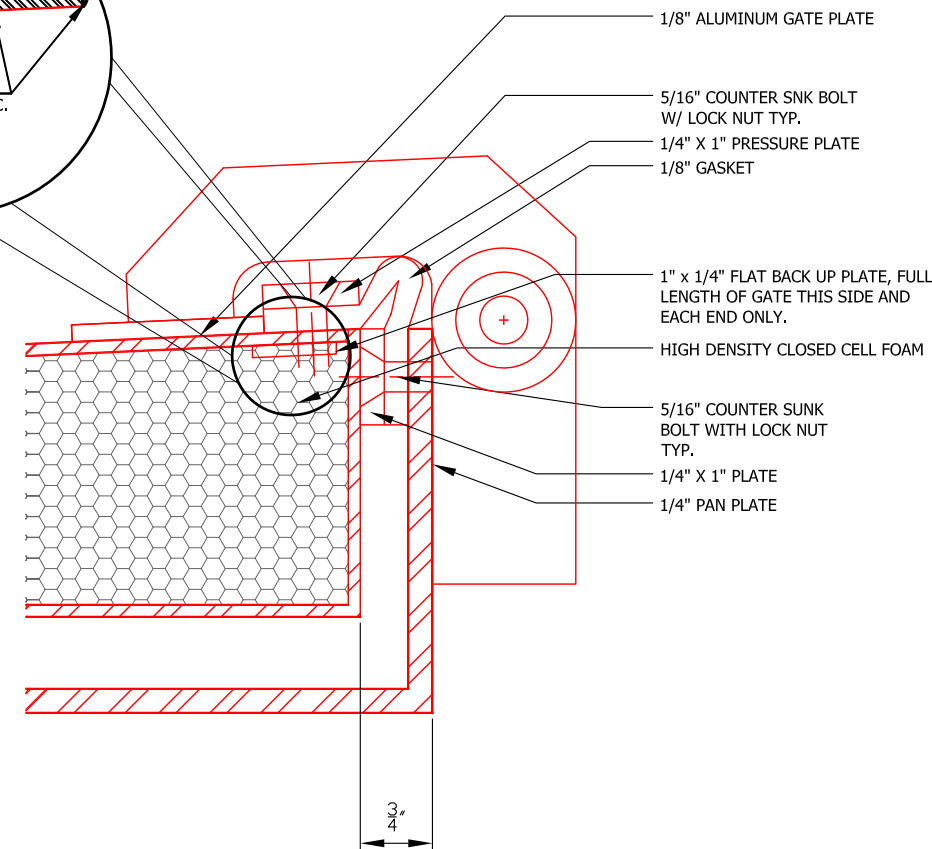
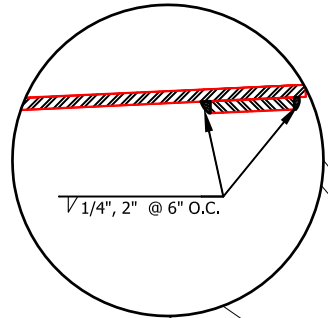
| | | | |
|--|--|--------------------------------------|--|
| FloodBreak Revolutionary Flood Control <i>Automatic Floodgates - no people, no power!</i> | | EXAMPLE | |
| | | 2'-11 3/4" X 4'-3 1/2" FLOOD BARRIER | |
| SCALE: N.T.S. | | FLOODBREAK SERIAL # 00001 | |
| DRAWN BY: CWJJ/CR | | DATE: 03-11-09 | |
| CHECKED BY: JK | | SHEET: 2 OF 5 | |



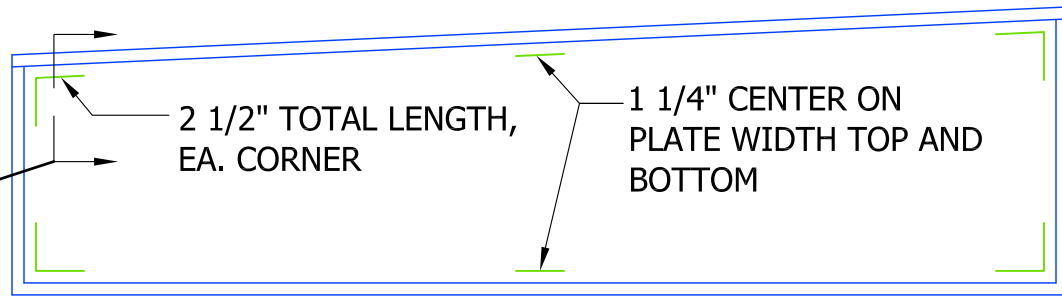
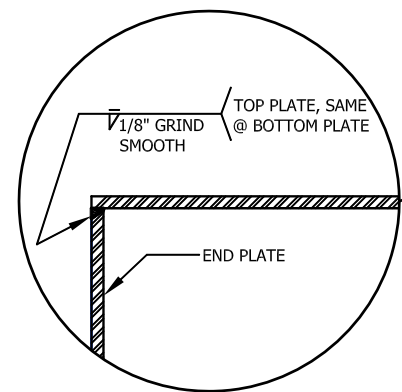
| | | | |
|---|--|--------------------------------------|--|
| <p>FloodBreak Revolutionary Flood Control <i>Automatic Floodgates - no people, no power!</i></p> | | EXAMPLE | |
| | | 2'-11 3/4" X 4'-3 1/2" FLOOD BARRIER | |
| SCALE: N.T.S. | | FLOODBREAK SERIAL # 00001 | |
| DRAWN BY: CWJJ/CR | | DATE: 08-05-08 | |
| CHECKED BY: JK | | SHEET: 3 OF 5 | |



AT CROSS SECTION



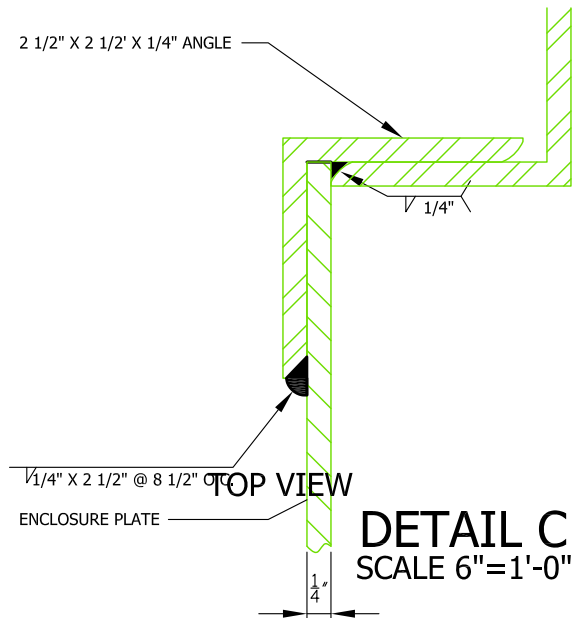
DETAIL B
 SCALE 6"=1'-0"



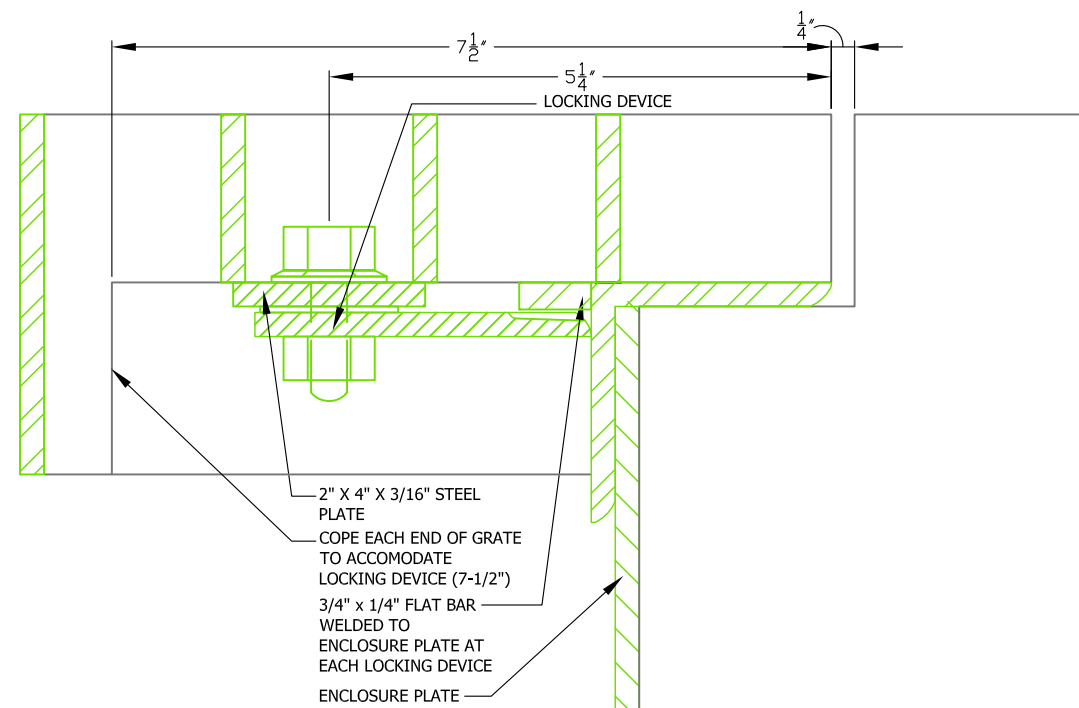
WELDS AT EACH END PLATE

DETAIL A
 TYPICAL GATE MAKE-UP
 SCALE 6"=1'-0"

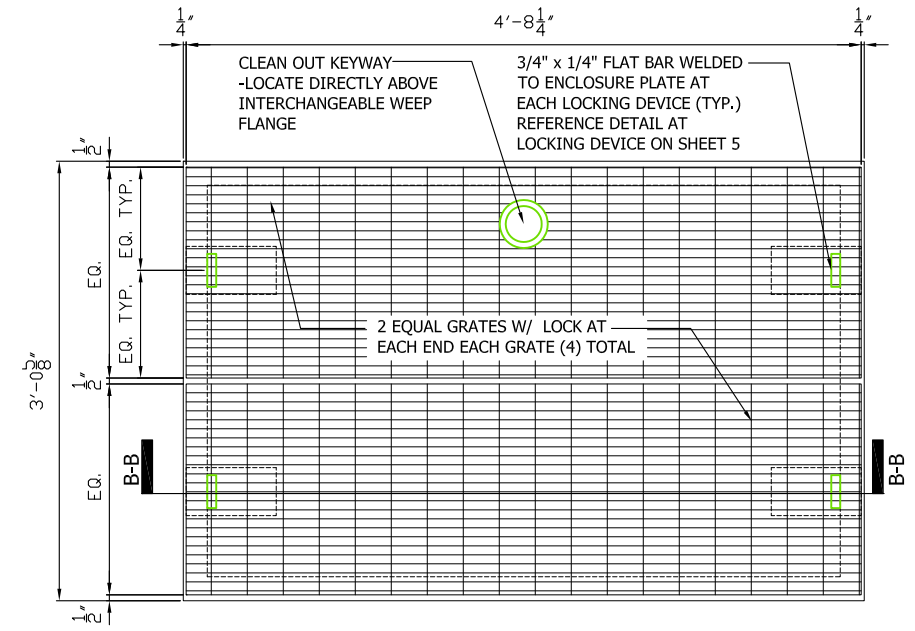
| | | | |
|--|--|--------------------------------------|--|
| Revolutionary Flood Control <i>Automatic Floodgates - no people, no power!</i> | | EXAMPLE | |
| | | 2'-11 3/4" X 4'-3 1/2" FLOOD BARRIER | |
| SCALE: N.T.S. | | FLOODBREAK SERIAL # 00001 | |
| DRAWN BY: CWJJ/CR | | DATE: 08-05-08 | |
| CHECKED BY: JK | | SHEET: 4 OF 5 | |



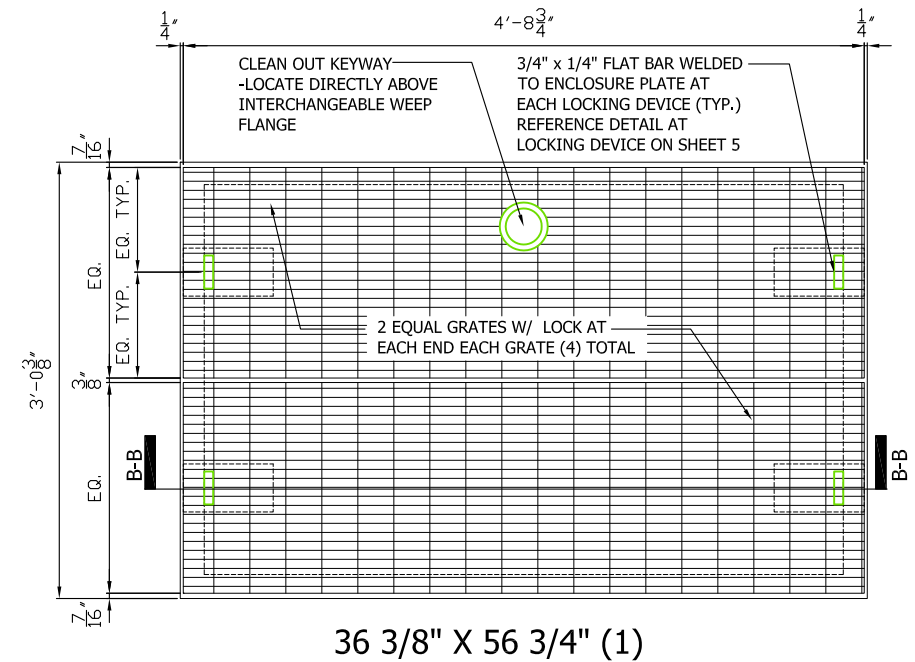
DETAIL C
SCALE 6"=1'-0"



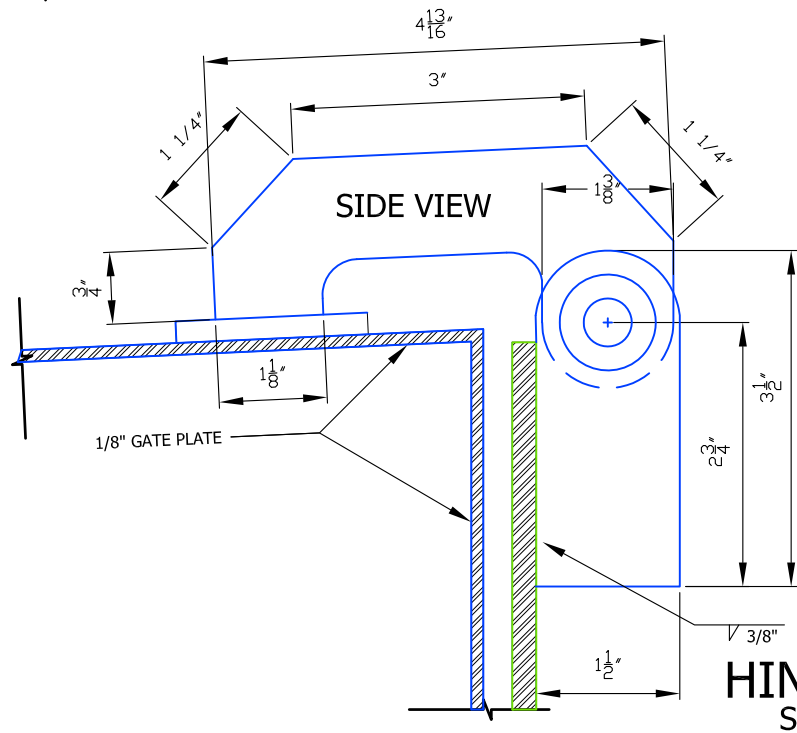
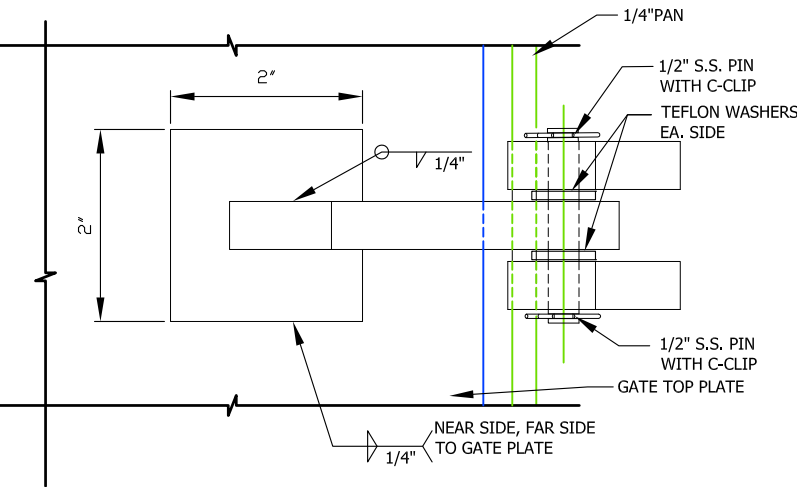
DETAIL AT LOCKING DEVICE
(EACH END EACH GRATE)
SCALE 6"=1'-0"



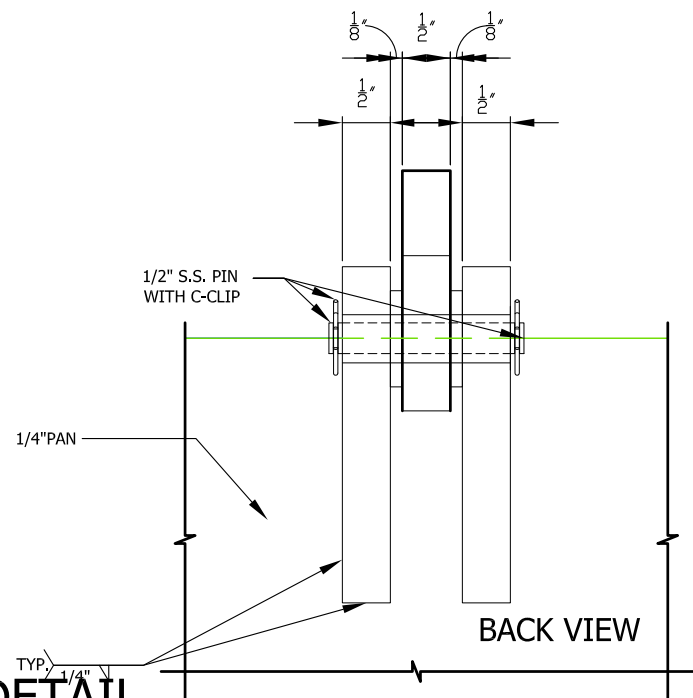
36 5/8" X 56 1/4" (13)




36 3/8" X 56 3/4" (1)



HINGE DETAIL
SCALE 6"=1'-0"



| | | | |
|---|--|--------------------------------------|--|
|  FloodBreak Revolutionary Flood Control <i>Automatic Floodgates - no people, no power!</i> | | EXAMPLE | |
| | | 2'-11 3/4" X 4'-3 1/2" FLOOD BARRIER | |
| SCALE: N.T.S. | | FLOODBREAK SERIAL # 00001 | |
| DRAWN BY: CWJJ/CR | | DATE: 03-11-09 | |
| CHECKED BY: JK | | SHEET: 5 OF 5 | |