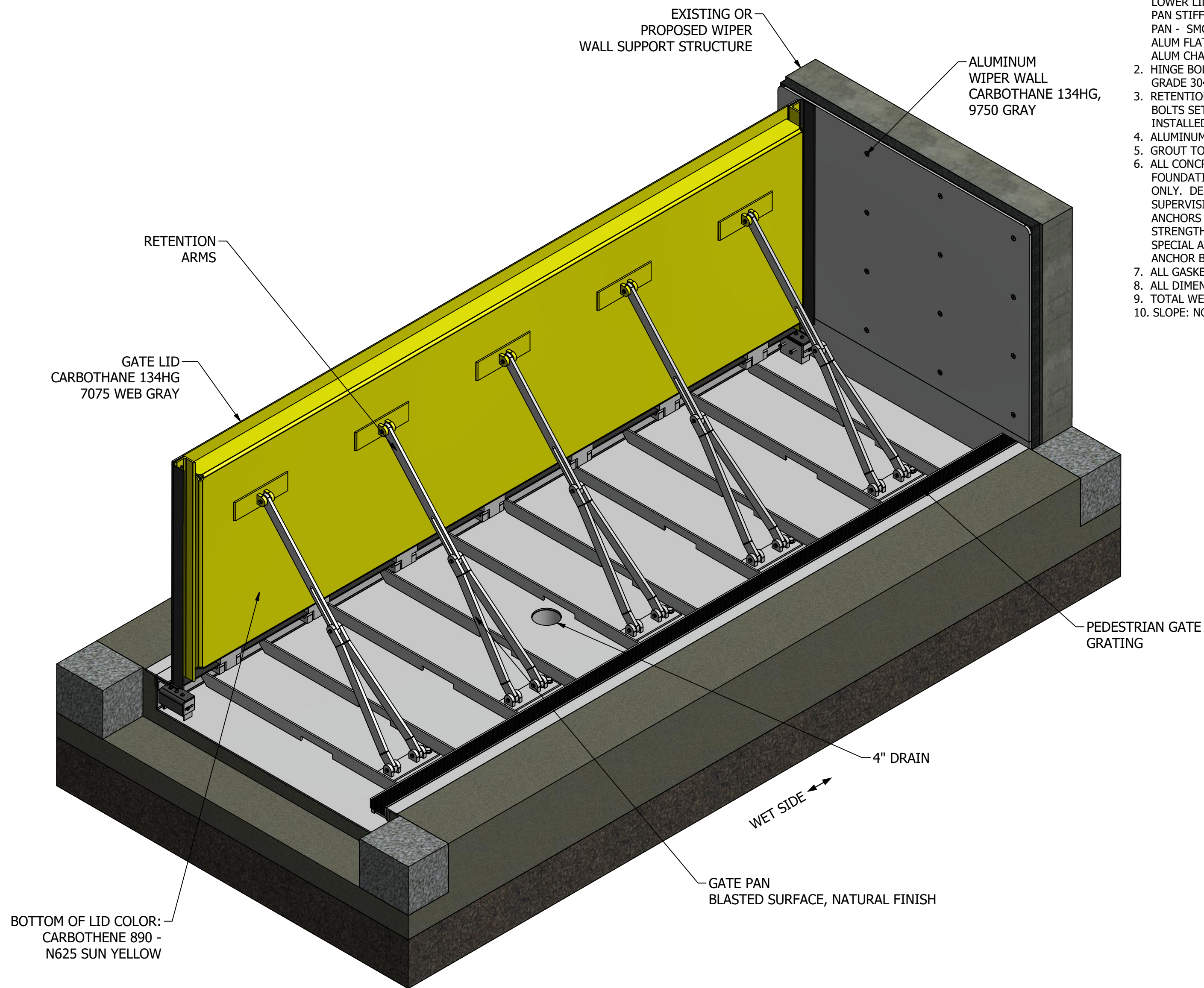


STRUCTURAL SPECIFICATIONS:

- FLOODGATE MATERIAL TO BE ALUMINUM AS FOLLOWS:
 TOP LID - 3/16" SMOOTH ALUM PLATE - GRADE 5052 MIN. $F_y=25.8$ KSI
 LOWER LID - 1/4" SMOOTH ALUM PLATE - GRADE 5052 MIN. $F_y=25.8$ KSI
 PAN STIFFENERS - 1/4" - GRADE 6061 MIN. $F_y=35$ KSI
 PAN - SMOOTH ALUM PLATE - GRADE 5052 MIN. $F_y=25.8$ KSI
 ALUM FLAT BARS, STRUCTURAL ANGLES, HINGES GRADE 6061-T6 MIN. $F_y=35$ KSI
 ALUM CHANNELS - 4" x 2" x 1/4" VERTICAL & 6" x 2" x 1/4" HORIZONTAL.
- HINGE BOLTS, PINS, AND MACHINE SCREWS TO BE STAINLESS STEEL - GRADE 304, MIN. $F_y=90$ KSI.
- RETENTION ARM ANCHOR BOLTS SHALL BE STAINLESS STEEL STANDARD THREAD BOLTS SET IN VINYLESTER BASED ADHESIVE CONTAINED IN A GLASS CAPSULE, INSTALLED PER SIMPSON STRONG TIE SPECIFICATIONS.
- ALUMINUM TO BE WELDED WITH ALUMINUM WIRE - PER 4043 AWS A5.10 3/64.
- GROUT TO BE COMMERCIAL GRADE NON-SHRINKING GROUT.
- ALL CONCRETE FOUNDATION POURS AND THEIR TIE-DOWNS TO EXISTING FOUNDATIONS SHOWN IN THESE DRAWINGS ARE FOR ILLUSTRATIVE PURPOSES ONLY. DESIGN OF THE CONCRETE FOUNDATION SLABS IS BY OTHERS. DESIGN AND SUPERVISION OF INSTALLATION OF RETENTION ARMS, ANCHOR BOLTS, AND GATE ANCHORS ARE BY FLOODBREAK. ALL CONCRETE TO BE 4000 PSI MINIMUM 28 DAY STRENGTH. REINFORCED IN EACH DIRECTION WITH ASTM - A615 MIN. $F_y=60$ KSI. SPECIAL ATTENTION SHALL BE PAID TO PROPER SUPPORT OF RETENTION ARM ANCHOR BOLTS INTO THE SUPPORTING CONCRETE.
- ALL GASKET MATERIAL TO BE EPDM RUBBER.
- ALL DIMENSIONS IN FEET AND INCHES
- TOTAL WEIGHT: 810.0 LBS
- SLOPE: NONE



BOTTOM OF LID COLOR:
 CARBOTHENE 890 -
 N625 SUN YELLOW

TYPICAL PEDESTRIAN GATE

NOTE: LAYOUT, SIZES AND DETAIL ARE GATE-SPECIFIC. ALUMINUM WIPER WALL ONE END NOT SHOWN FOR CLARITY PURPOSES.

GENERAL ISOMETRIC LAYOUT



DEMO - PEDESTRIAN GATE
 STANDARD LOCATION
 PEDESTRIAN GATE
 10'-0" L x 3'-0" H

PG #0002

REV 0

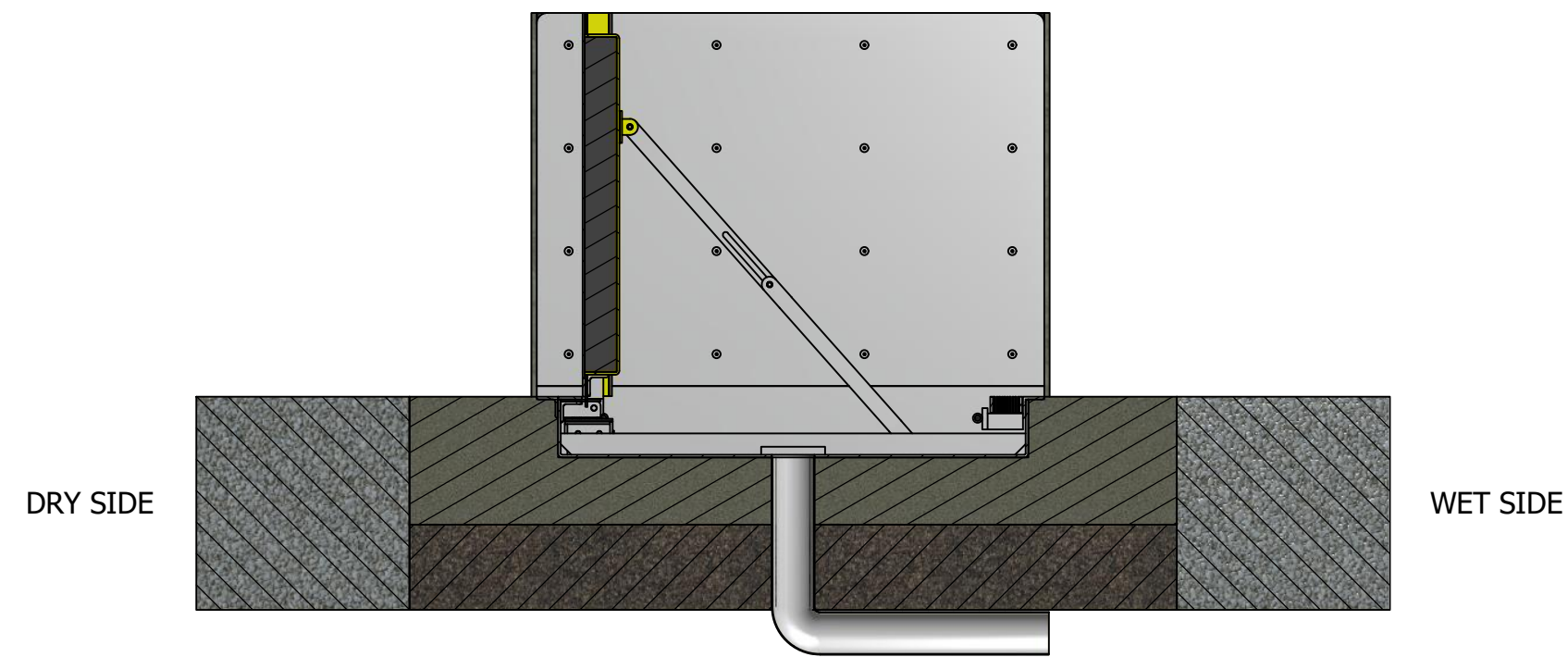
SCALE: VARIES

DRAWN: A. JOLLY 8/1/2018

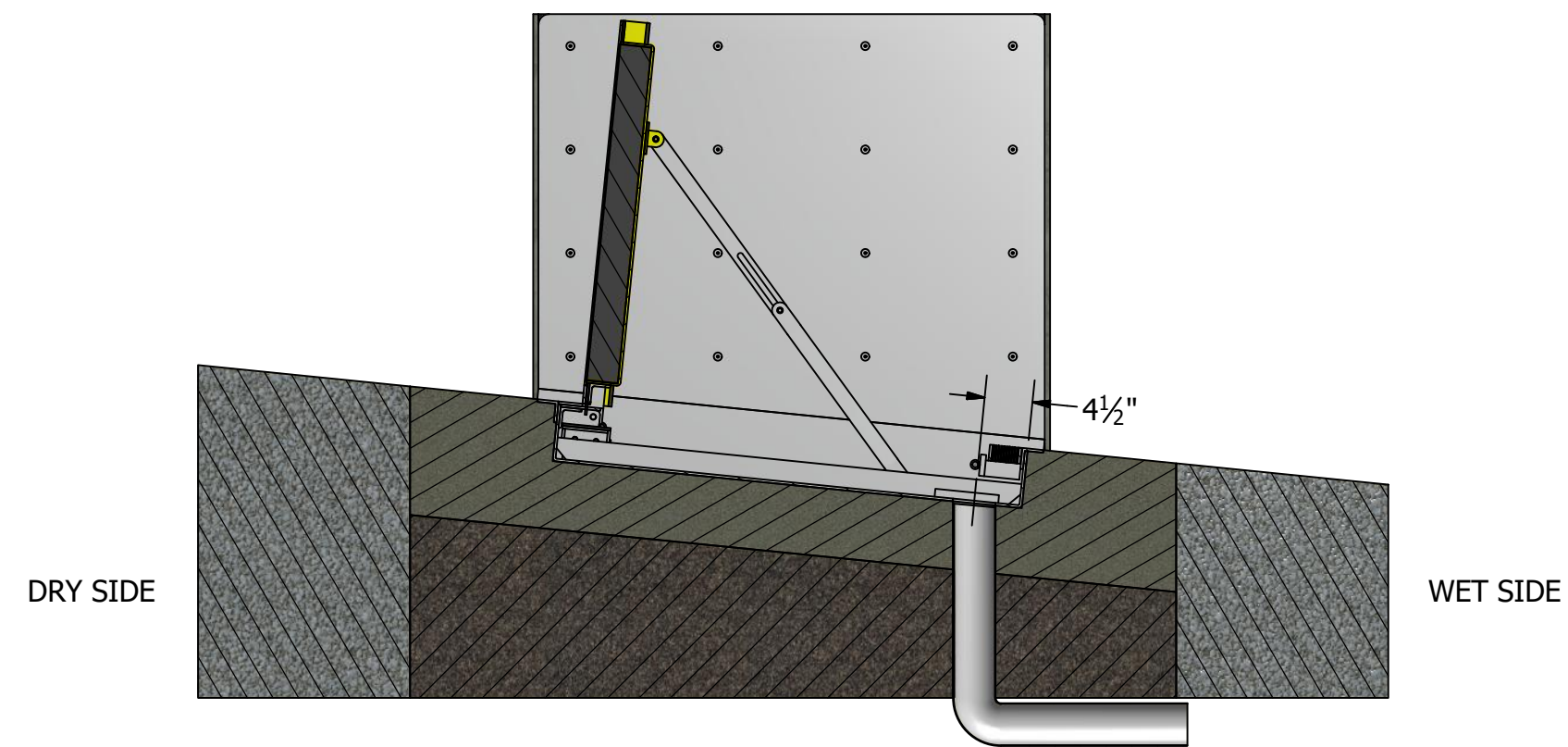
CHECKED: N. EASTMAN 8/1/2018

APPROVED: M. POSADA 8/1/2018

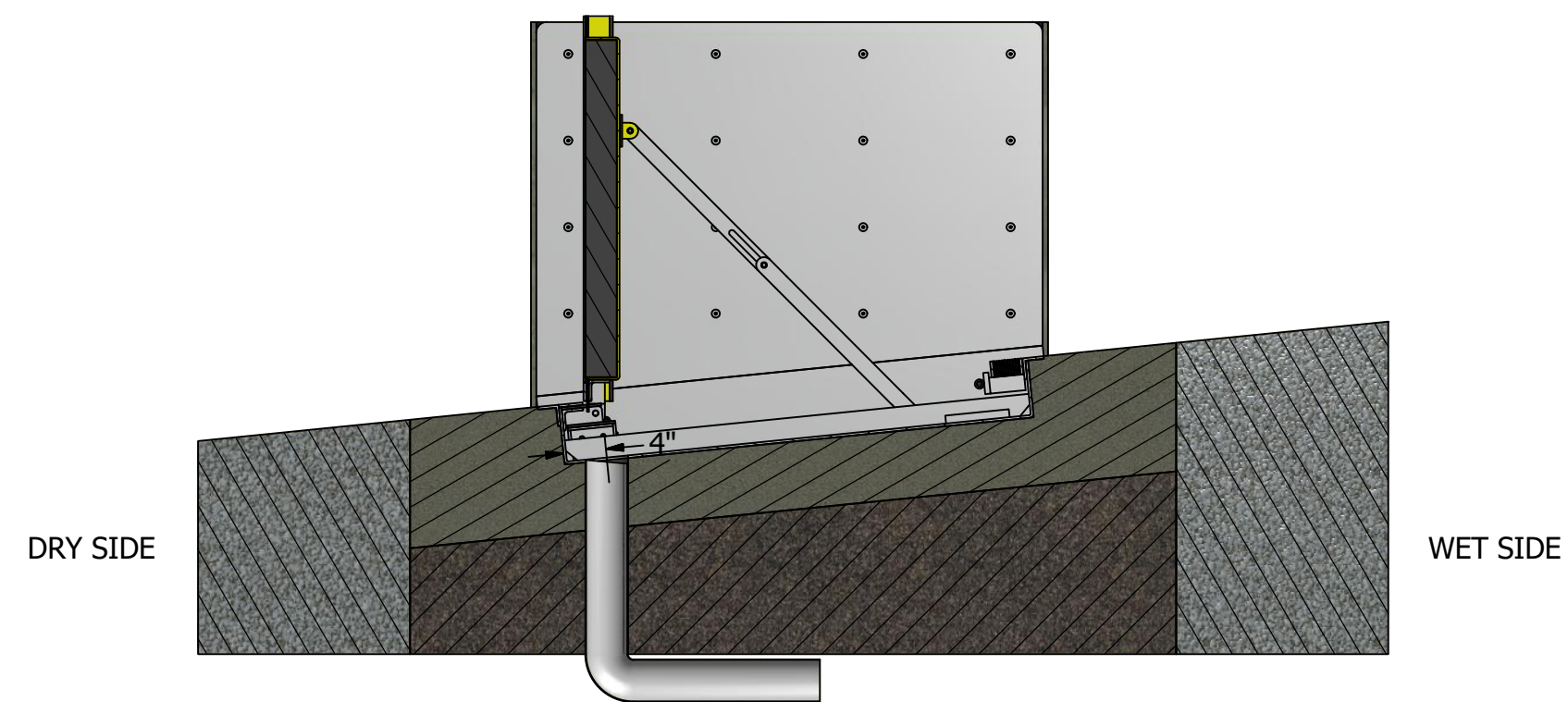
SHEET 1 OF 12



LEVEL GRADE



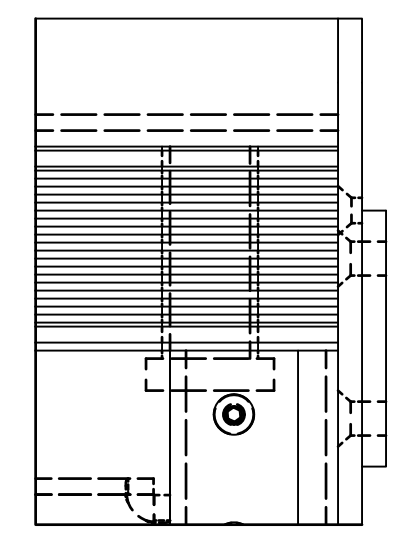
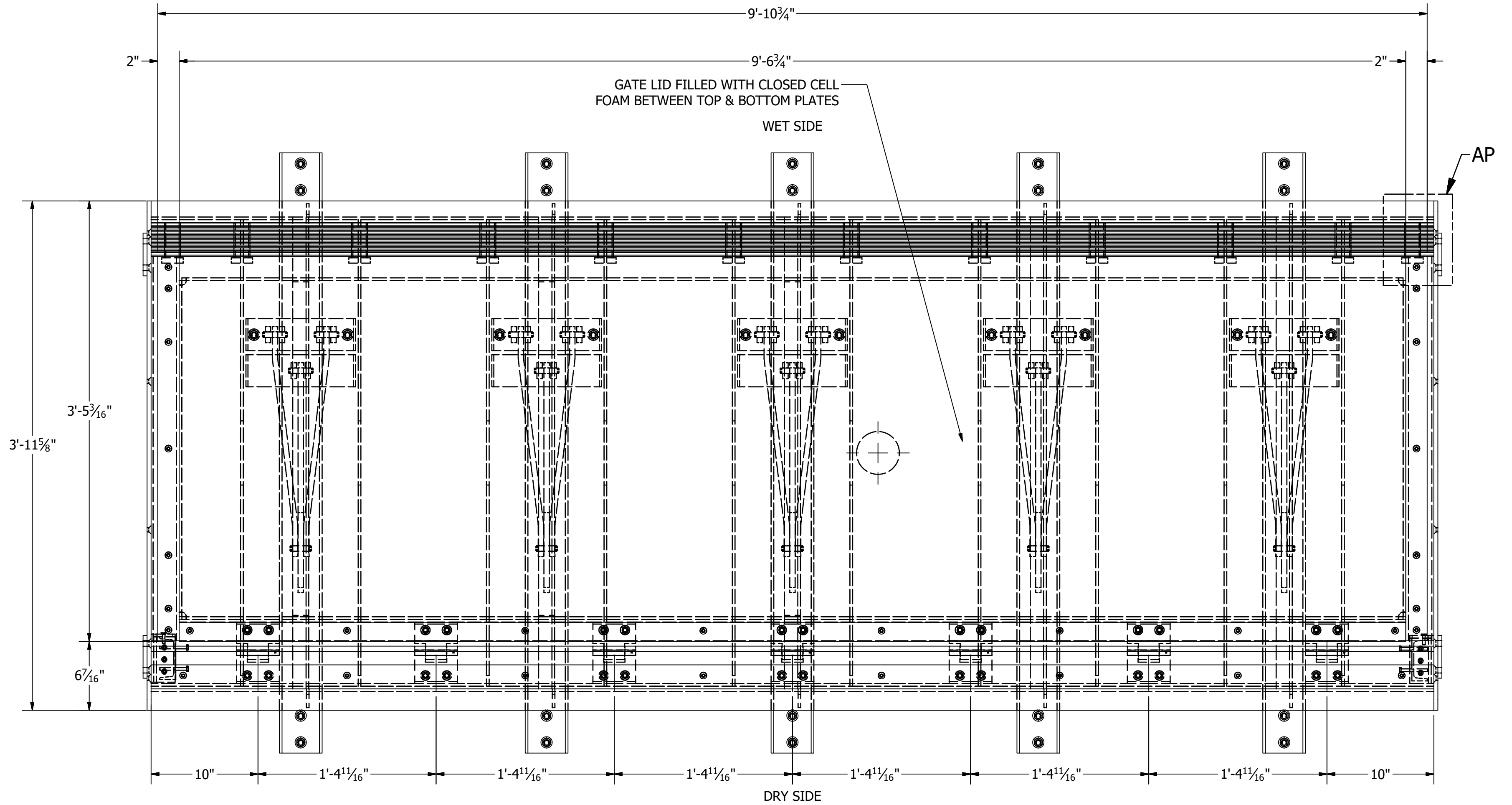
UPSLOPE (POSITIVE)



DOWNSLOPE (NEGATIVE)




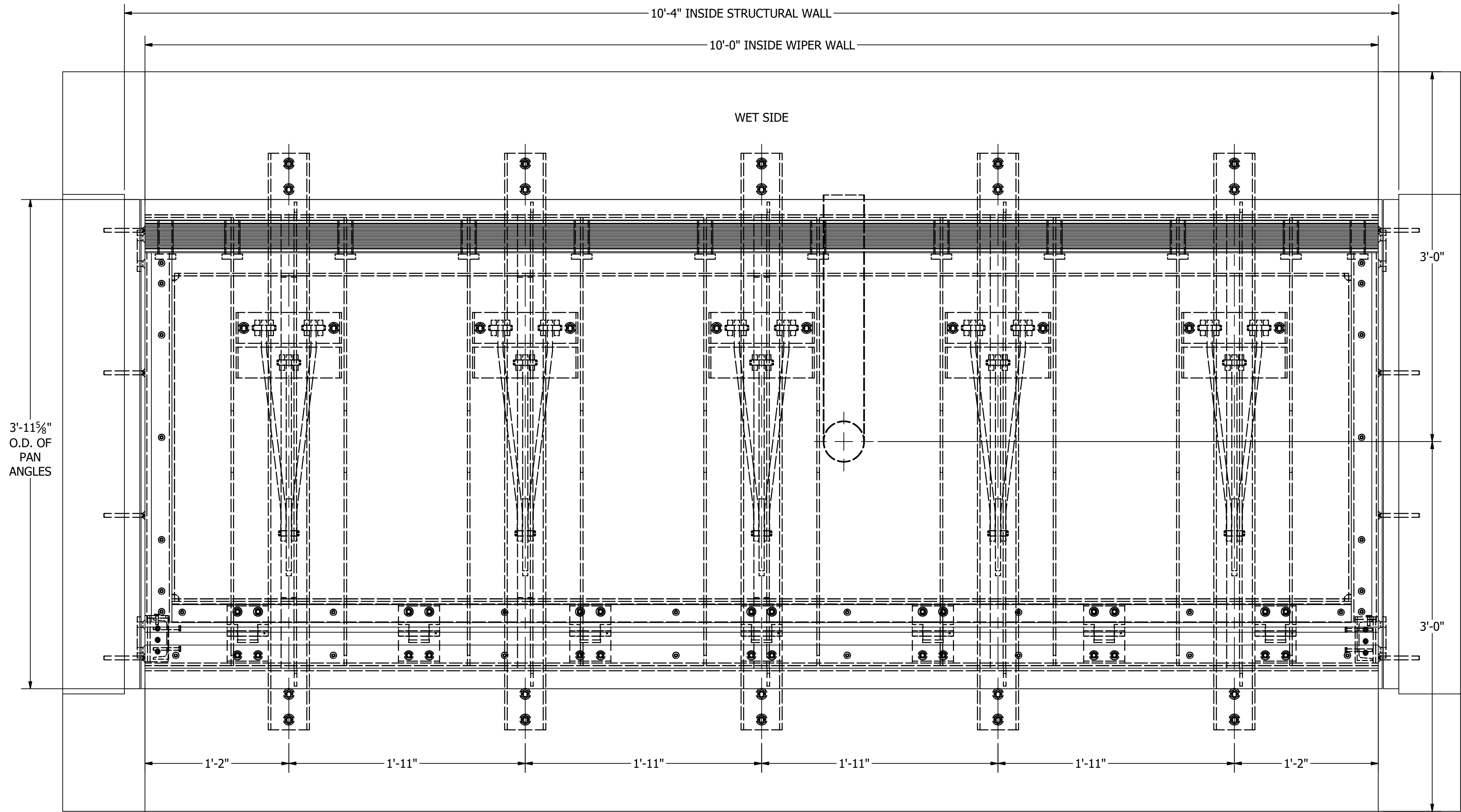
DEMO - PEDESTRIAN GATE STANDARD LOCATION PEDESTRIAN GATE 10'-0" L x 3'-0" H		
PG #0002		
REV 0		
SCALE:	VARIES	
DRAWN:	A. JOLLY	8/1/2018
CHECKED:	N. EASTMAN	8/1/2018
APPROVED:	M. POSADA	8/1/2018
SHEET 2 OF 12		



DETAIL AP
(PLACE GRATING TUBING, SPACER,
AND STOP AT ENDS OF GATE,
AND ALSO EQUALLY SPACED)

LID PLAN 'A' HINGE LAYOUT

 FloodBreak <small>REVOLUTIONARY FLOOD CONTROL</small>	
DEMO - PEDESTRIAN GATE STANDARD LOCATION PEDESTRIAN GATE 10'-0" L x 3'-0" H	
PG #0002	
REV 0	
SCALE: VARIES	
DRAWN:	A. JOLLY 8/1/2018
CHECKED:	N. EASTMAN 8/1/2018
APPROVED:	M. POSADA 8/1/2018
SHEET 3 OF 12	



LID PLAN 'B' RETENTION ARM LAYOUT



DEMO - PEDESTRIAN GATE
 STANDARD LOCATION
 PEDESTRIAN GATE
 10'-0" L x 3'-0" H

PG #0002

REV 0

SCALE: VARIES

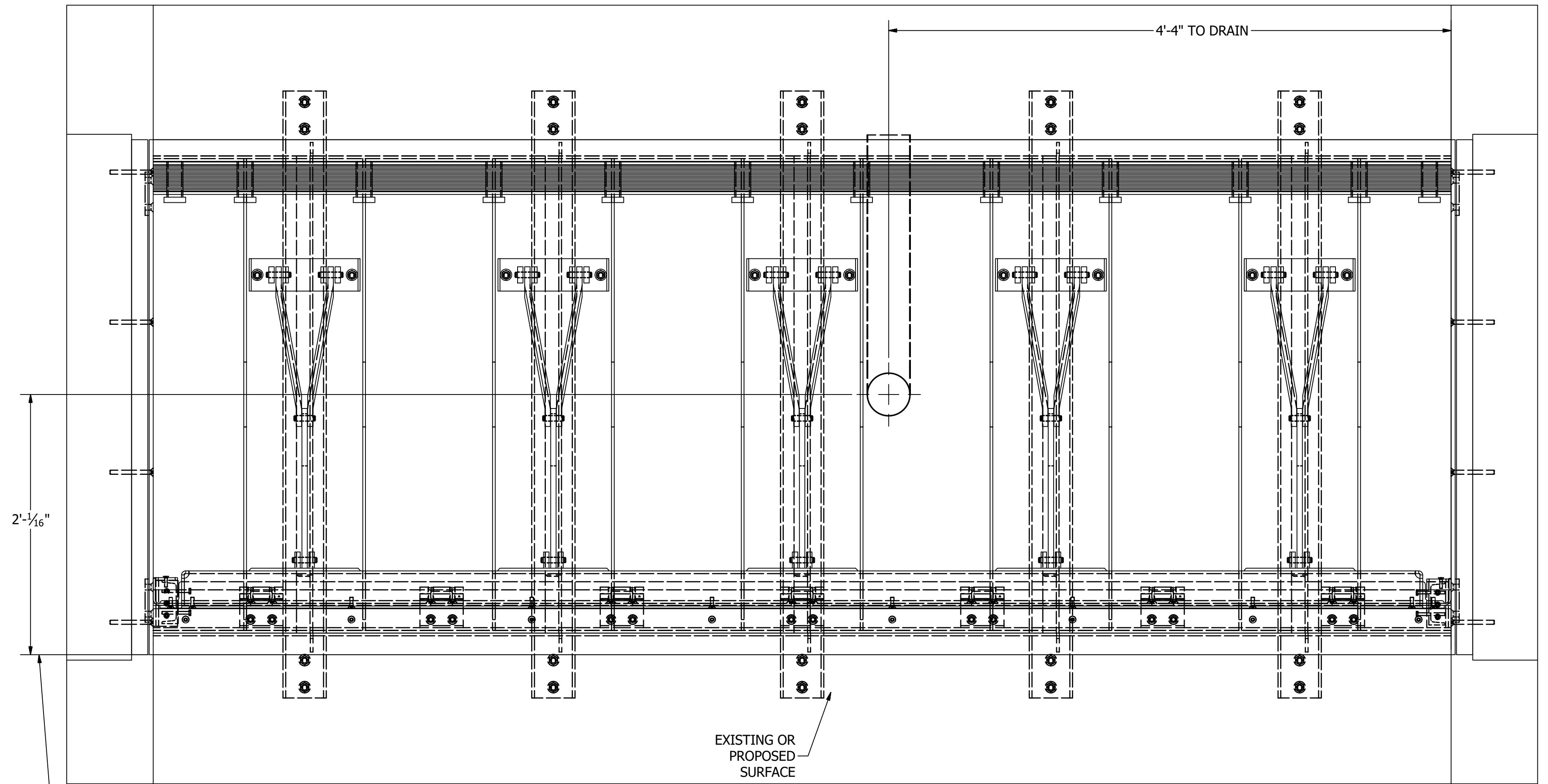
DRAWN: A. JOLLY 8/1/2018

CHECKED: N. EASTMAN 8/1/2018

APPROVED: M. POSADA 8/1/2018

SHEET 4 OF 12

WET SIDE



2'- $\frac{1}{16}$ "

4'-4" TO DRAIN

EXISTING OR
PROPOSED
SURFACE

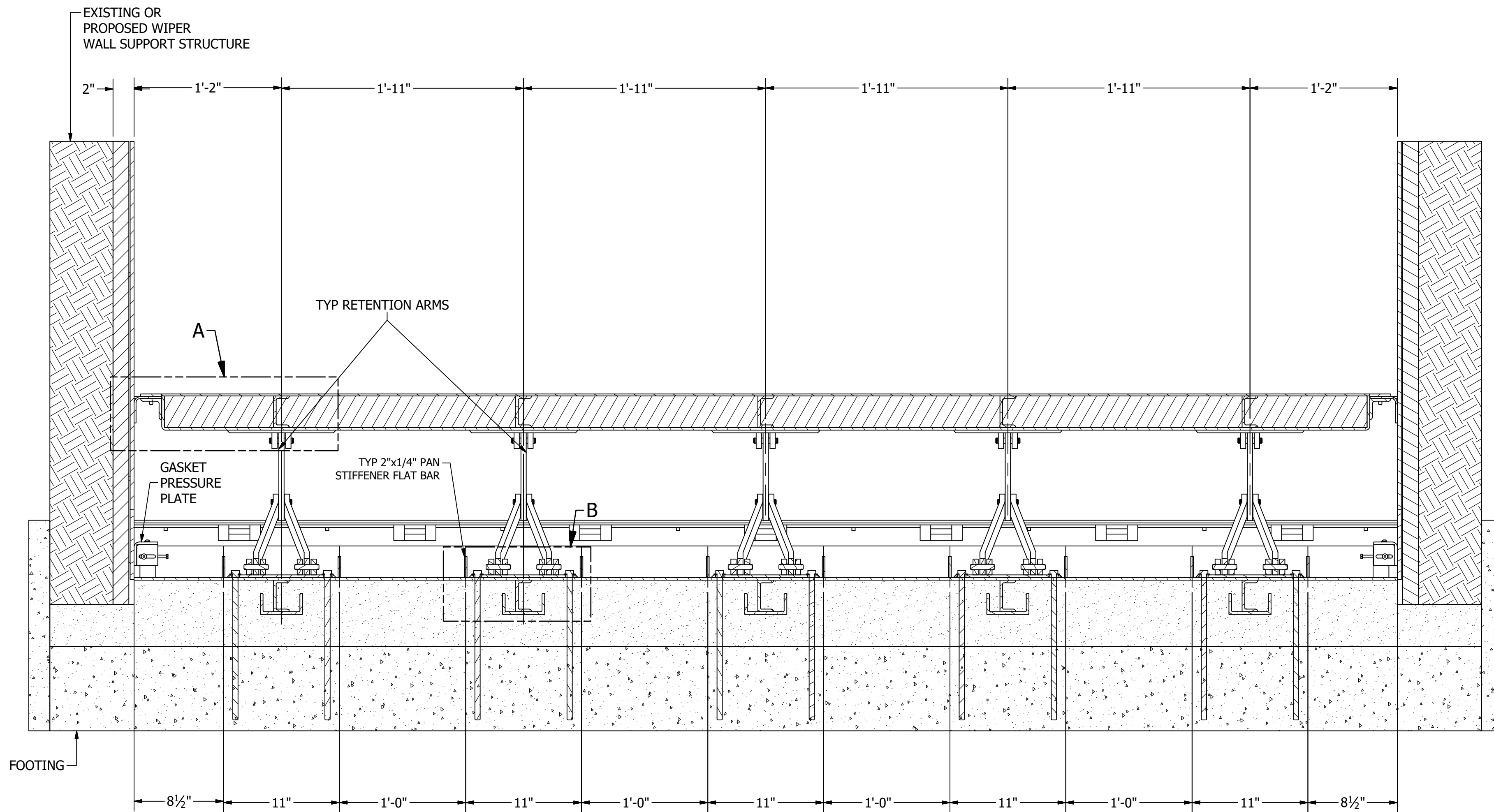
DRY SIDE

FROM END OF PAN ANGLE
TO C/L OF 4" DRAIN


GATE SECTION WIDTH DIMENSIONS



DEMO - PEDESTRIAN GATE STANDARD LOCATION PEDESTRIAN GATE 10'-0" L x 3'-0" H	
PG #0002	
REV 0	
SCALE:	VARIES
DRAWN:	A. JOLLY 8/1/2018
CHECKED:	N. EASTMAN 8/1/2018
APPROVED:	M. POSADA 8/1/2018
SHEET 5 OF 12	

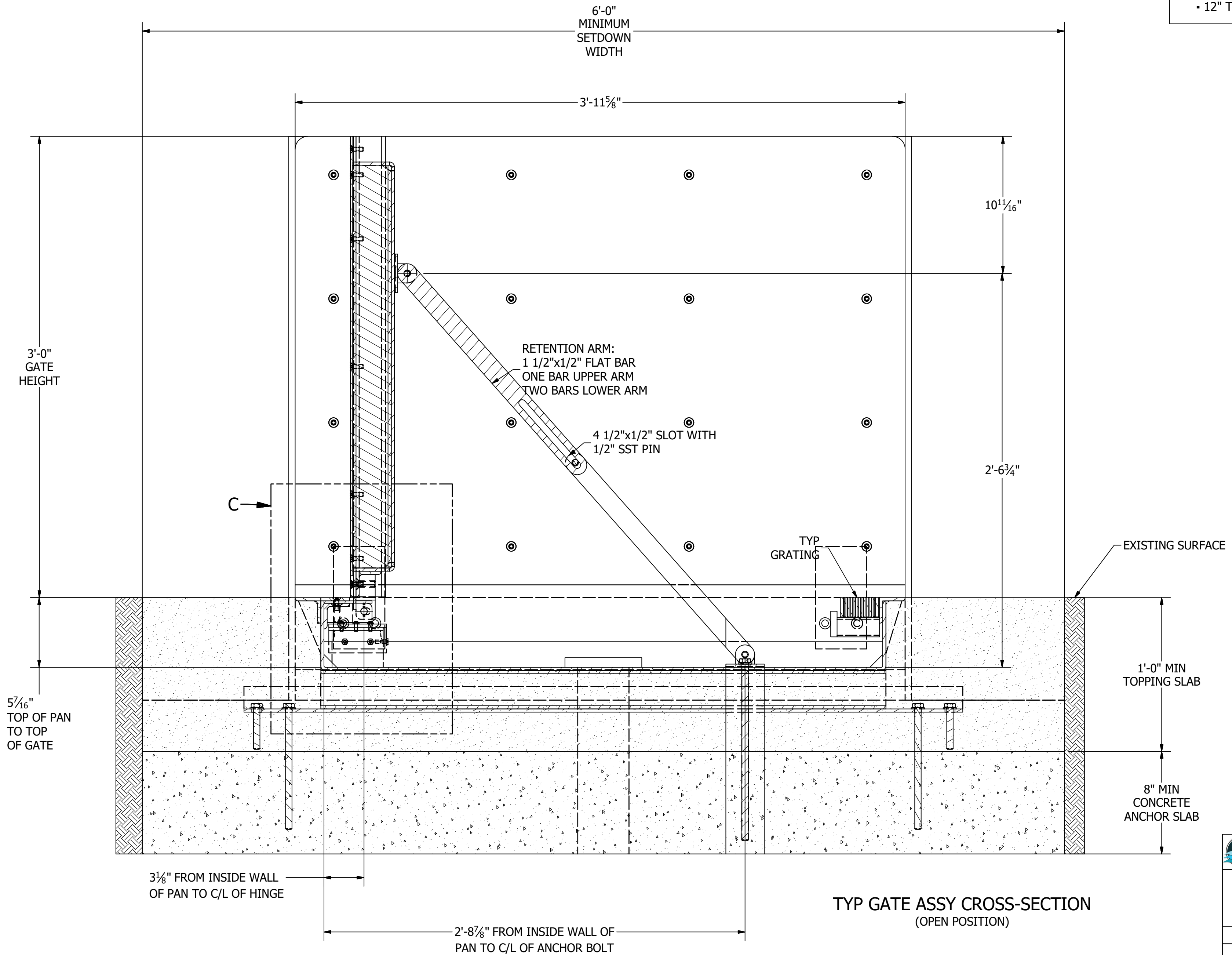


LID AND PAN COMPONENT
RETENTION ARM AND STIFFENER FLAT BAR DIMS

 FloodBreak <small>REVOLUTIONARY FLOOD CONTROL</small>	
DEMO - PEDESTRIAN GATE STANDARD LOCATION PEDESTRIAN GATE 10'-0" L x 3'-0" H	
PG #0002	
REV 0	
SCALE:	VARIES
DRAWN:	A. JOLLY 8/1/2018
CHECKED:	N. EASTMAN 8/1/2018
APPROVED:	M. POSADA 8/1/2018
SHEET 6 OF 12	

GENERAL FORMULA FOR SET-DOWN:

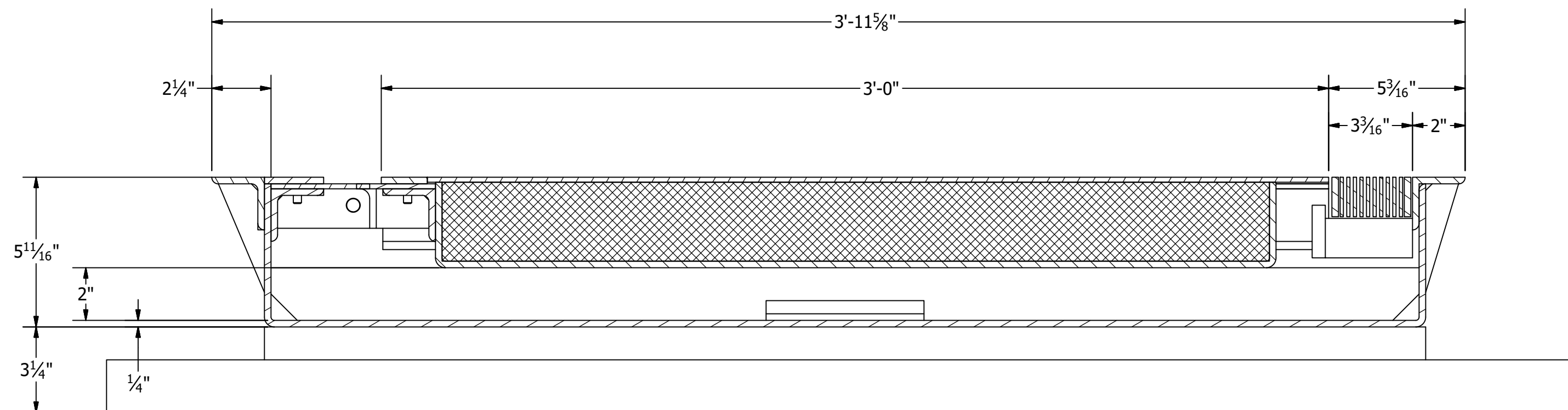
- GATE HEIGHT + 36" = WIDTH
- GATE LENGTH + 4" = LENGTH
- 12" TOPPING SLAB = DEPTH



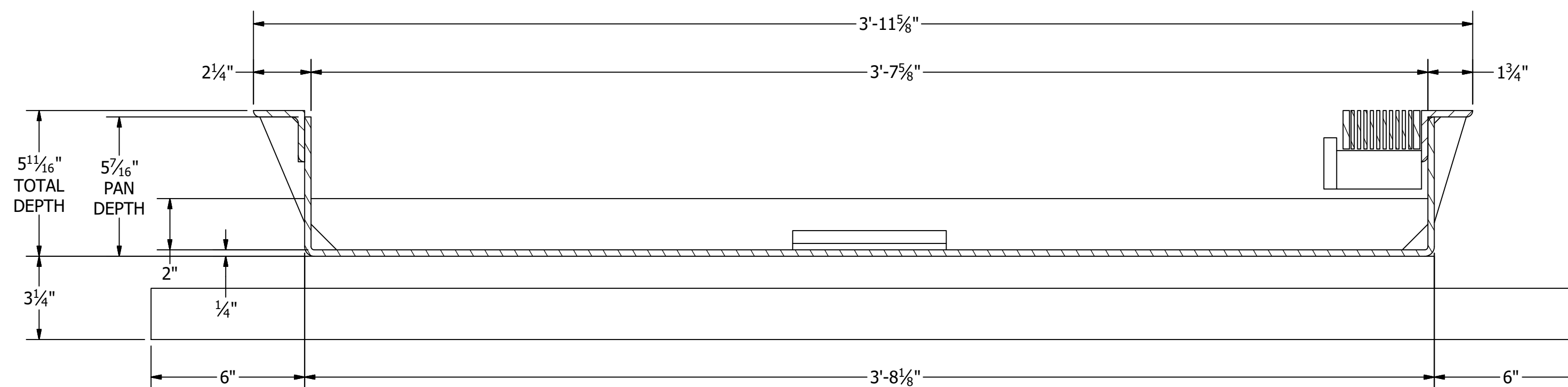
TYP GATE ASSY CROSS-SECTION
(OPEN POSITION)



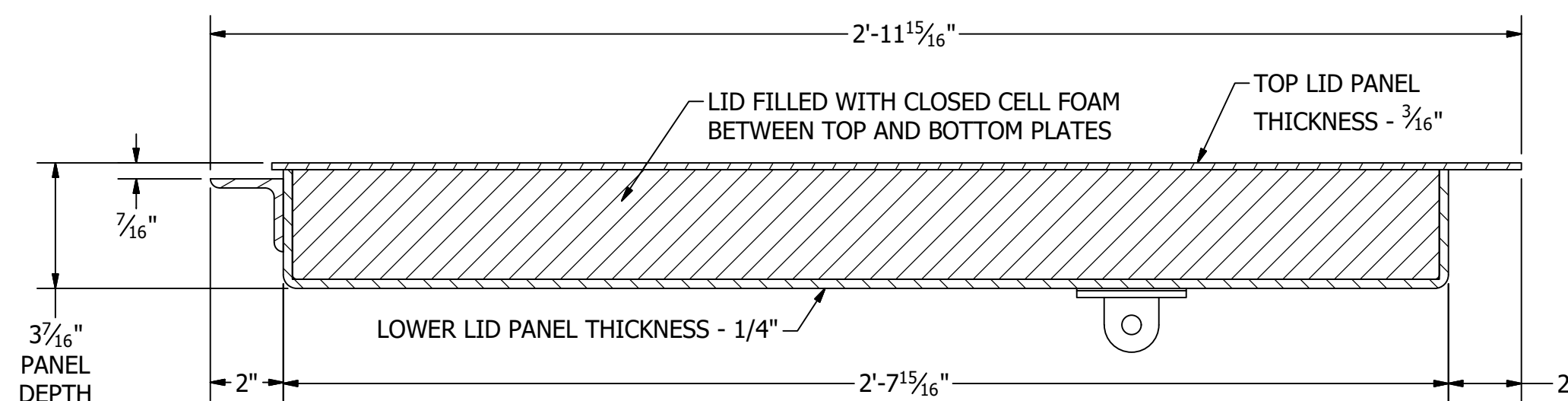
DEMO - PEDESTRIAN GATE STANDARD LOCATION PEDESTRIAN GATE 10'-0" L x 3'-0" H	
PG #0002	
REV 0	
SCALE:	VARIES
DRAWN:	A. JOLLY 8/1/2018
CHECKED:	N. EASTMAN 8/1/2018
APPROVED:	M. POSADA 8/1/2018
SHEET 7 OF 12	



TYP GATE AND PAN SECTION



TYP PAN SECTION



TYP LID SECTION



DEMO - PEDESTRIAN GATE
STANDARD LOCATION
PEDESTRIAN GATE
10'-0" L x 3'-0" H

PG #0002

REV 0

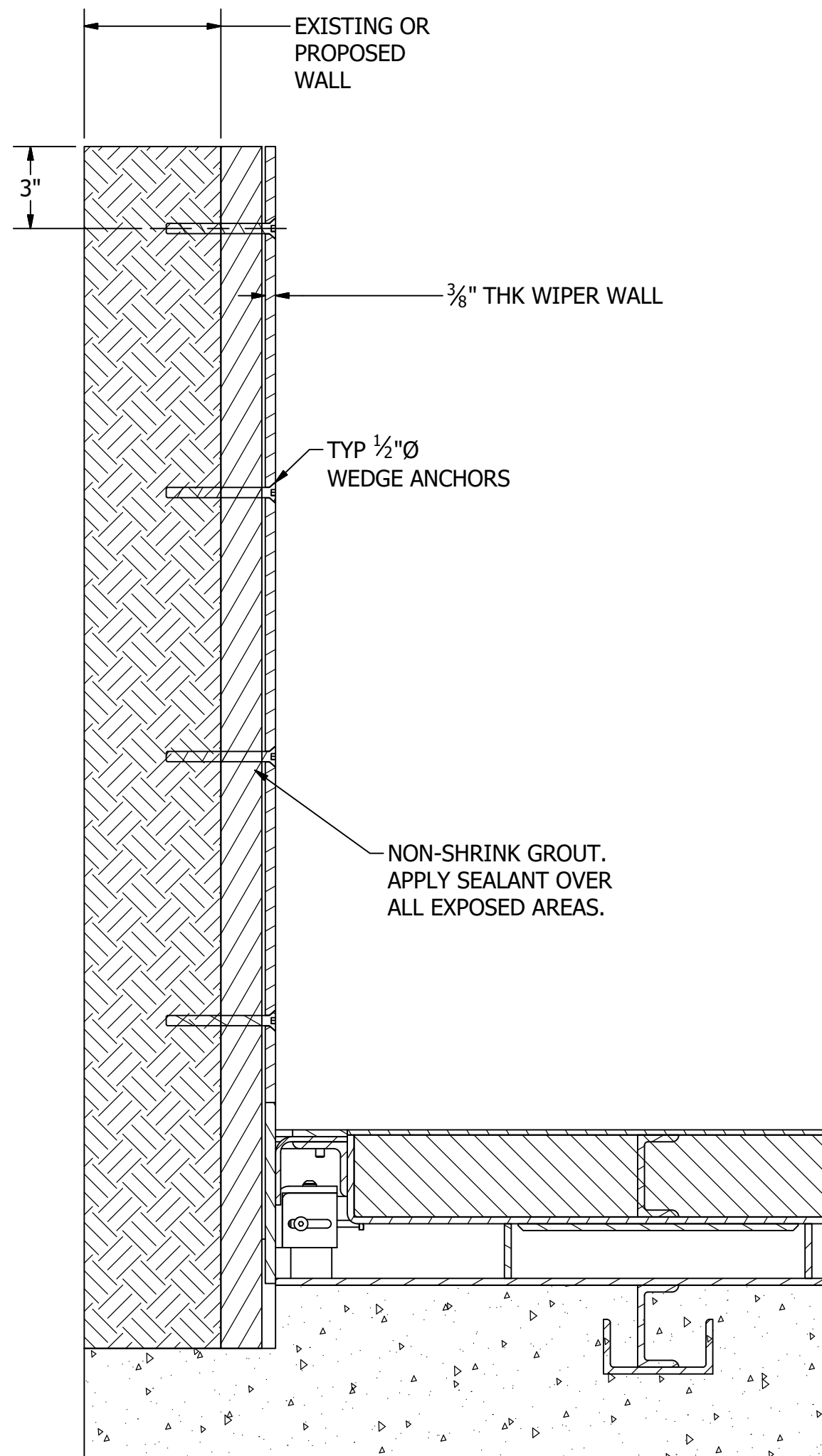
SCALE: VARIES

DRAWN: A. JOLLY 8/1/2018

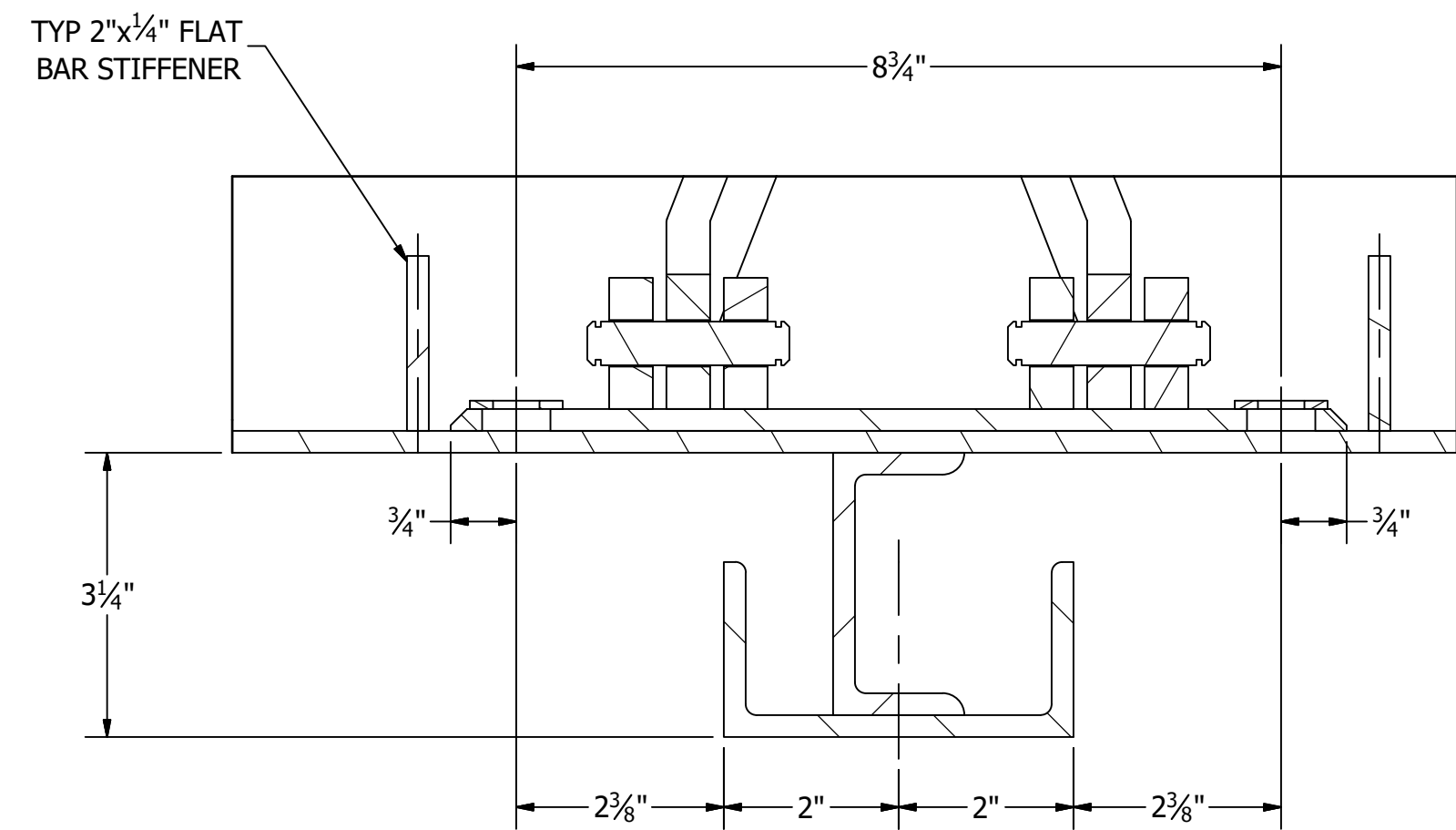
CHECKED: N. EASTMAN 8/1/2018

APPROVED: M. POSADA 8/1/2018

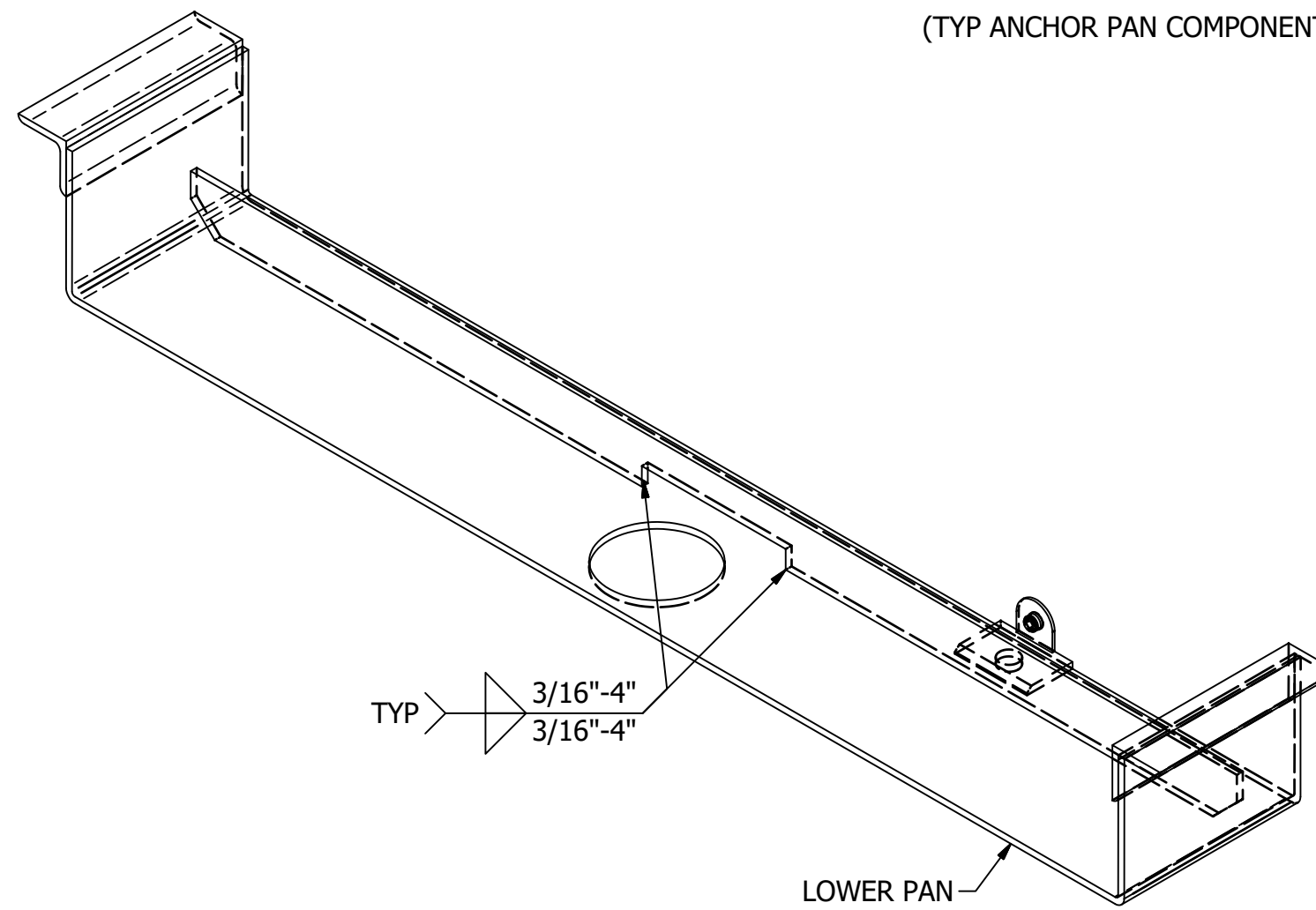
SHEET 8 OF 12




TYP WIPER WALL SECTIONAL ELEVATION

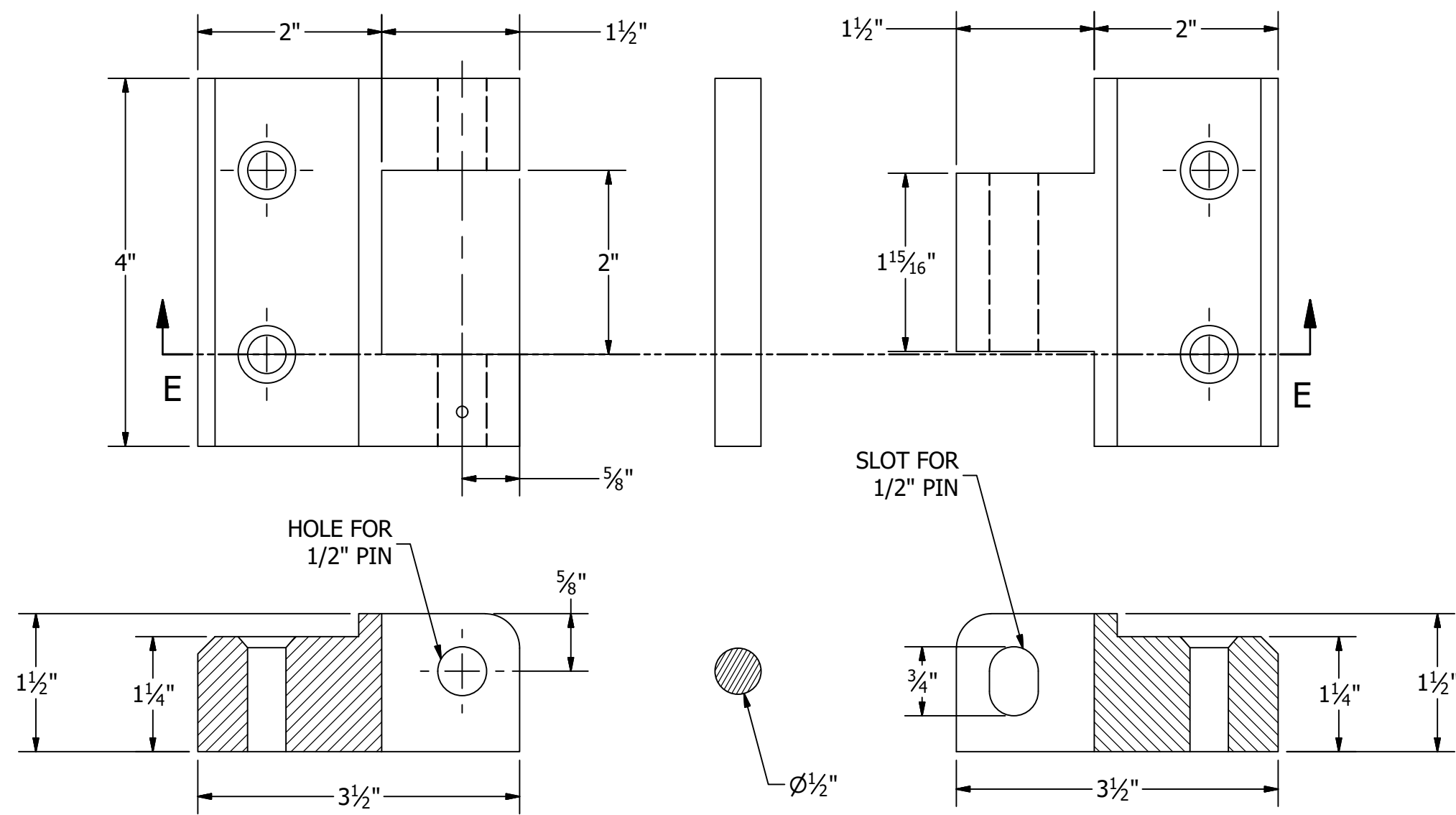


DETAIL B
(TYP ANCHOR PAN COMPONENT ASSY)

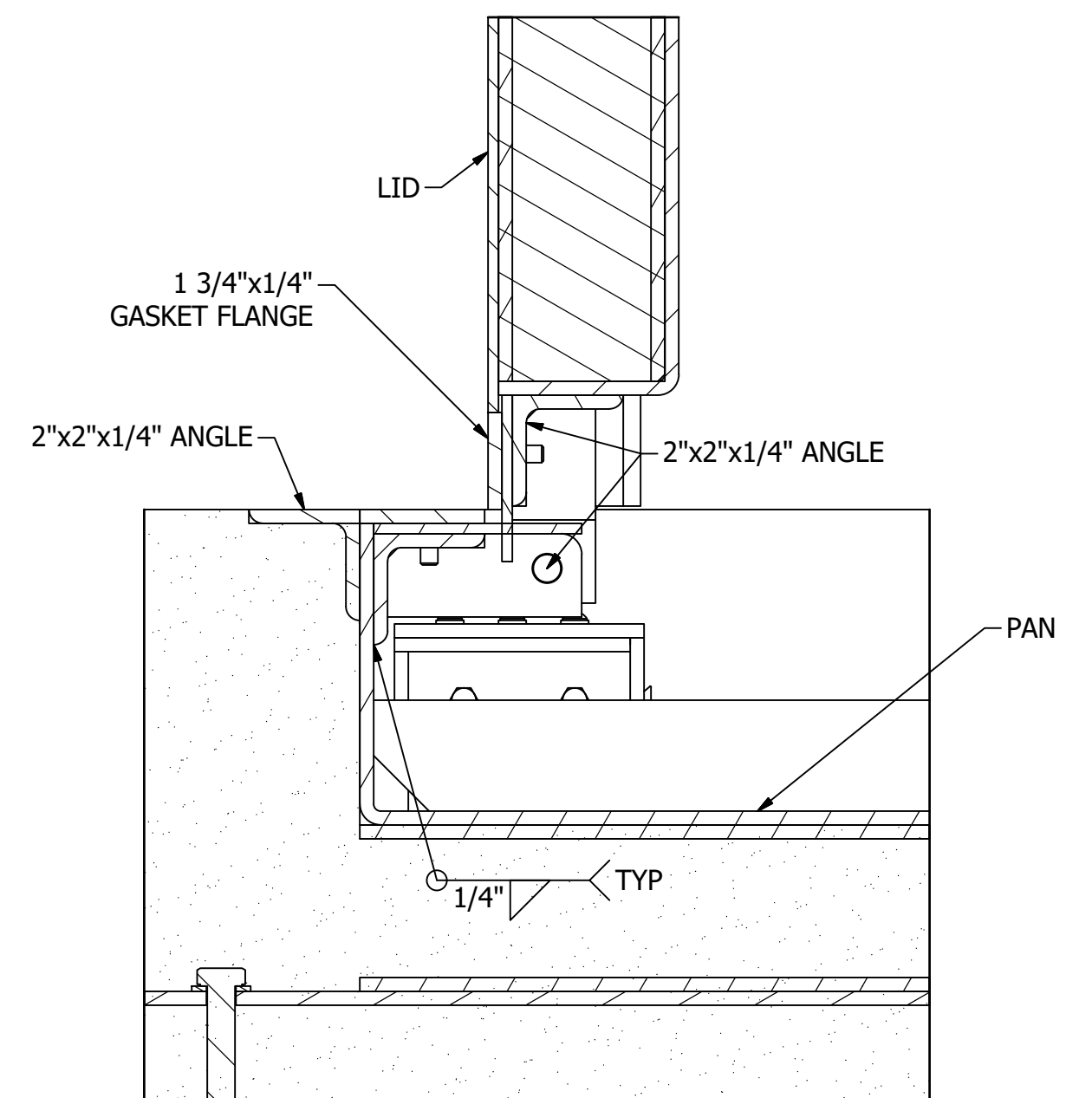


TYP FLAT BAR PAN STIFFENER WELDMENT

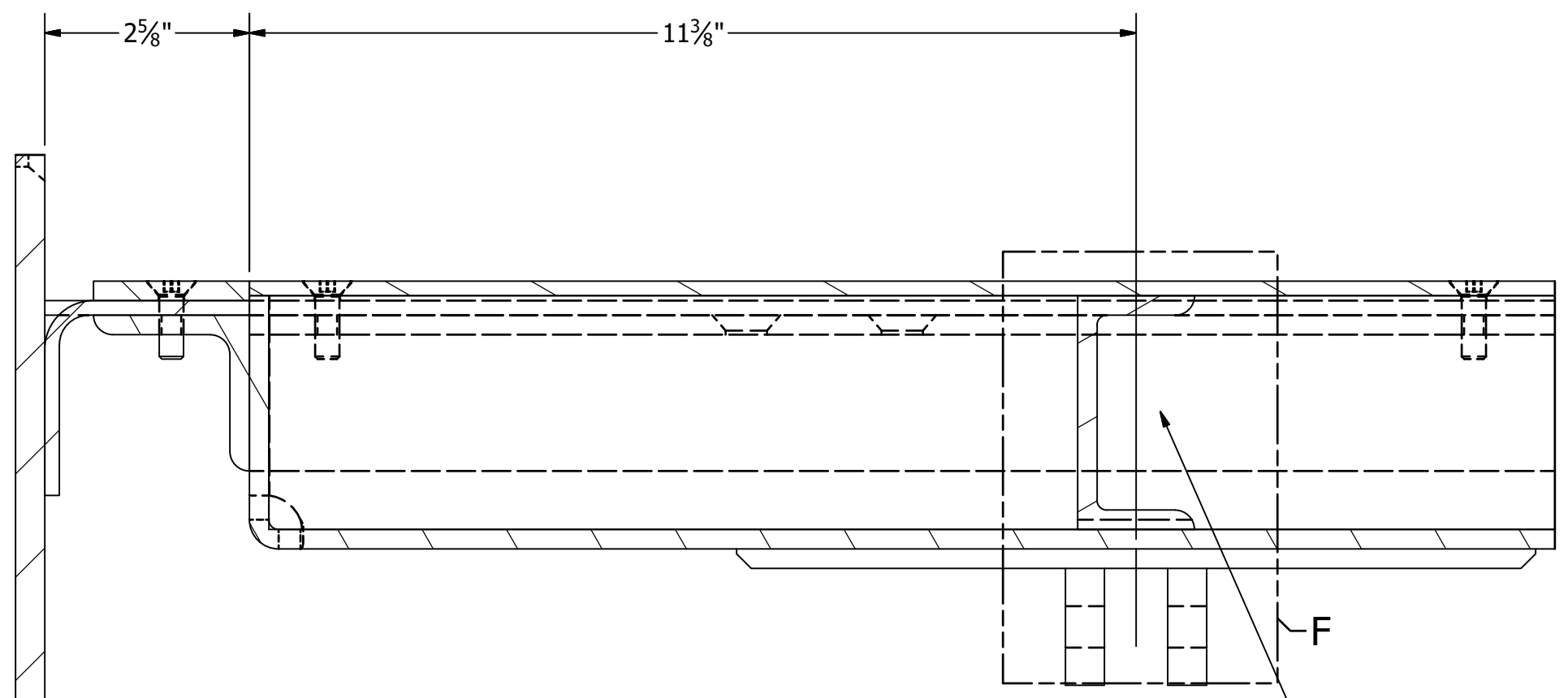
 FloodBreak <small>REVOLUTIONARY FLOOD CONTROL</small>	
DEMO - PEDESTRIAN GATE STANDARD LOCATION PEDESTRIAN GATE 10'-0" L x 3'-0" H	
PG #0002	
REV 0	
SCALE:	VARIES
DRAWN:	A. JOLLY 8/1/2018
CHECKED:	N. EASTMAN 8/1/2018
APPROVED:	M. POSADA 8/1/2018
SHEET 9 OF 12	



HINGE DETAIL
SECTION E-E

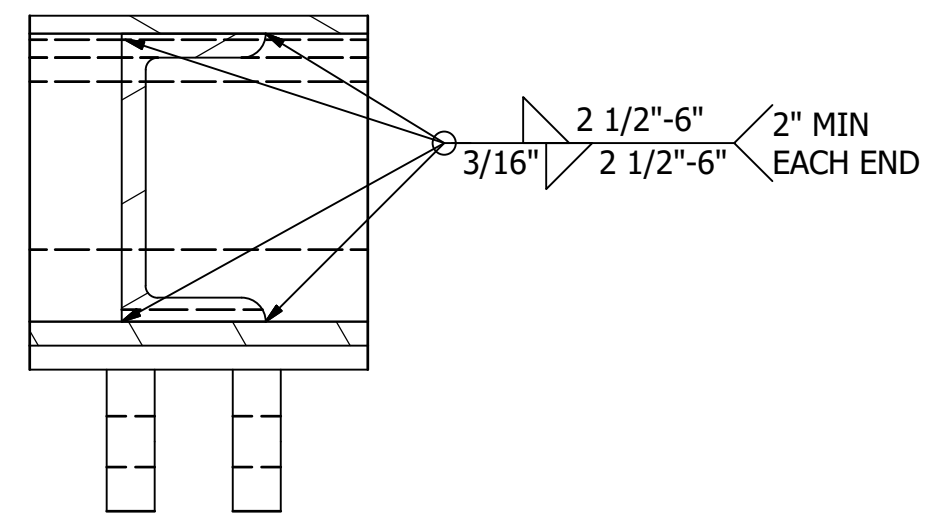


DETAIL C



DETAIL A
TYP LID AT WIPER WALL

CLOSED CELL
EXPANDABLE FOAM



DETAIL F



DEMO - PEDESTRIAN GATE
STANDARD LOCATION
PEDESTRIAN GATE
10'-0" L x 3'-0" H

PG #0002

REV 0

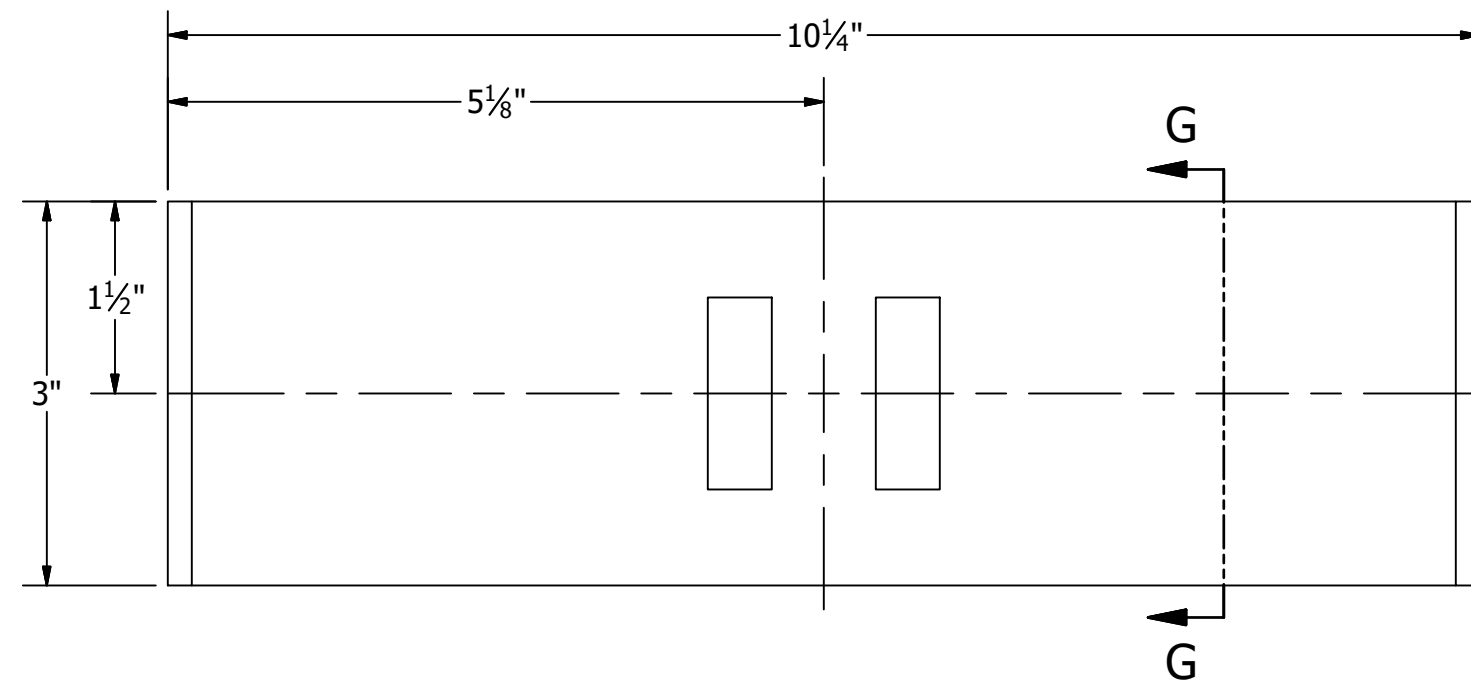
SCALE: VARIES

DRAWN: A. JOLLY 8/1/2018

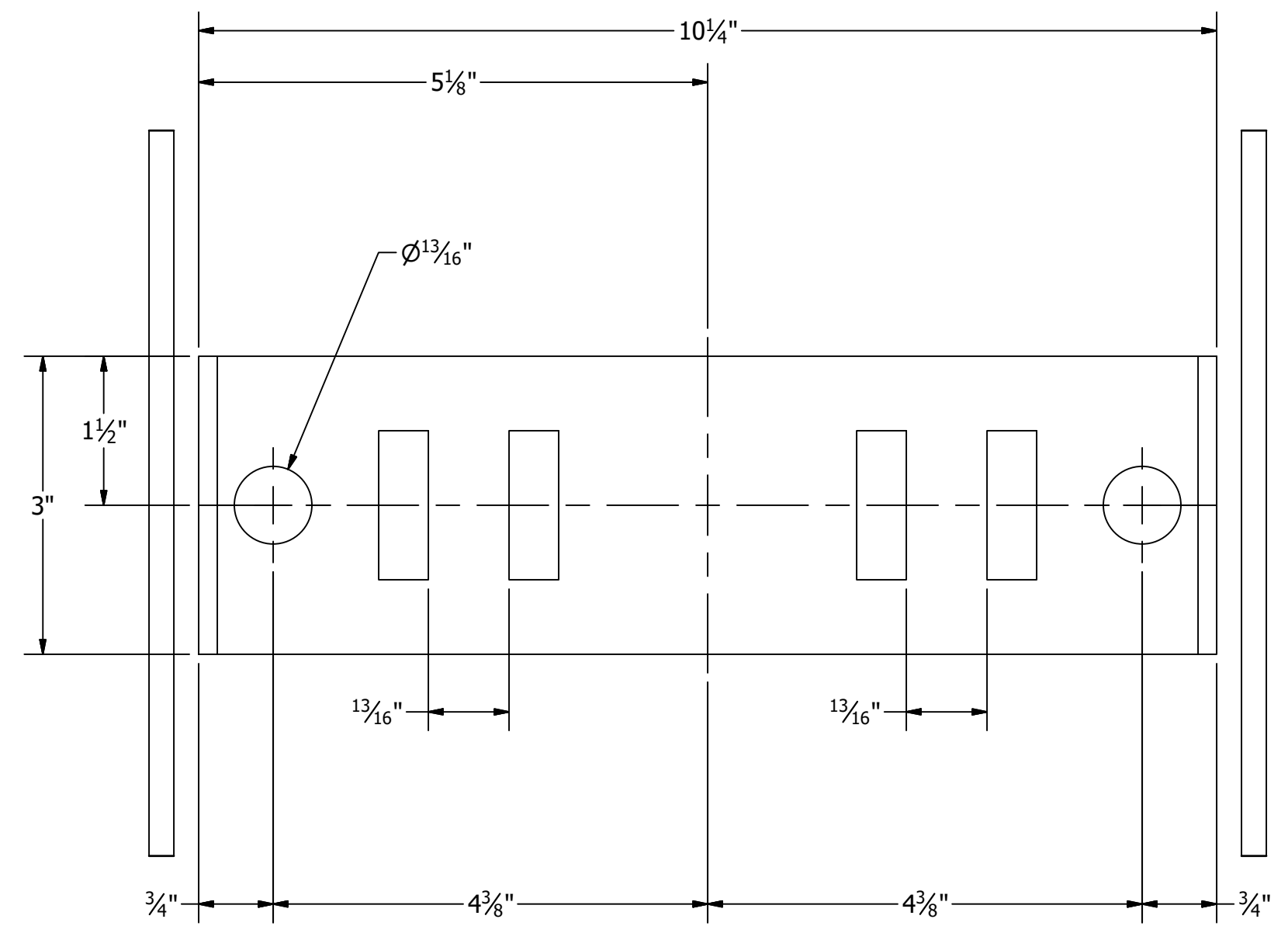
CHECKED: N. EASTMAN 8/1/2018

APPROVED: M. POSADA 8/1/2018

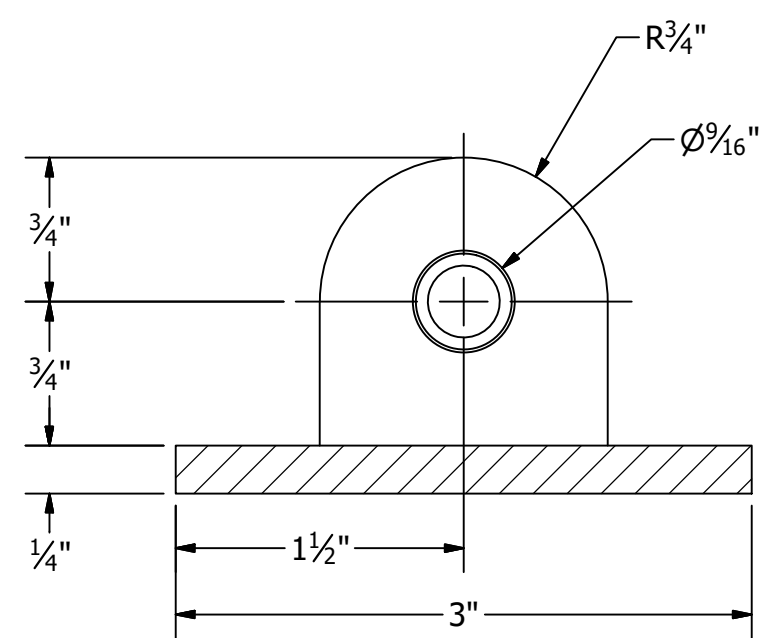
SHEET 10 OF 12



LID ANCHOR PLATE



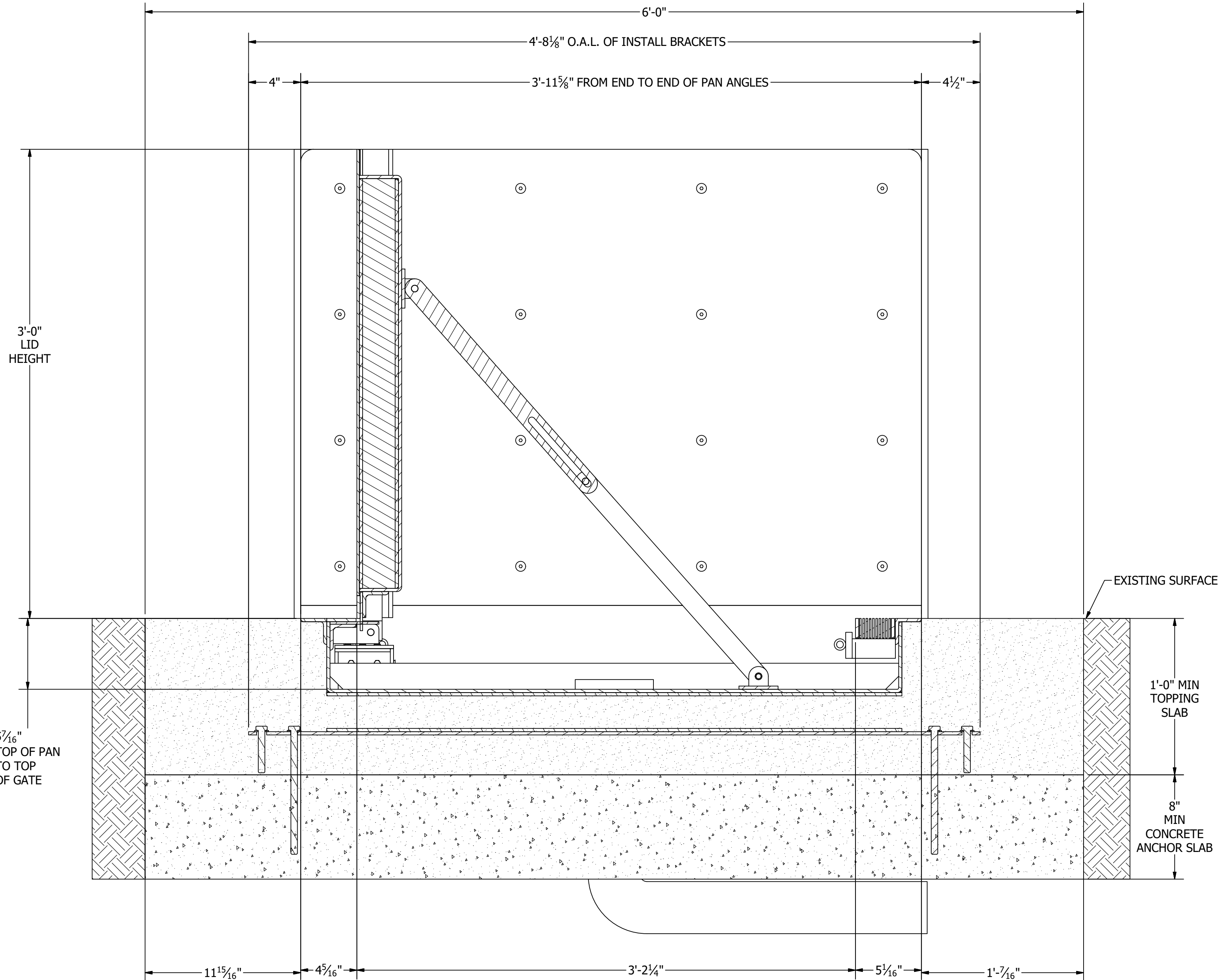
PAN ANCHOR PLATE



SECTION G-G



DEMO - PEDESTRIAN GATE STANDARD LOCATION PEDESTRIAN GATE 10'-0" L x 3'-0" H	
PG #0002	
REV 0	
SCALE:	VARIES
DRAWN:	A. JOLLY 8/1/2018
CHECKED:	N. EASTMAN 8/1/2018
APPROVED:	M. POSADA 8/1/2018
SHEET 11 OF 12	



3'-0"
LID
HEIGHT

5 7/16"
TOP OF PAN
TO TOP
OF GATE

EXISTING SURFACE

1'-0" MIN
TOPPING
SLAB

8"
MIN
CONCRETE
ANCHOR SLAB



DEMO - PEDESTRIAN GATE
STANDARD LOCATION
PEDESTRIAN GATE
10'-0" L x 3'-0" H

PG #0002
REV 0

SCALE: VARIES
DRAWN: A. JOLLY 8/1/2018
CHECKED: N. EASTMAN 8/1/2018
APPROVED: M. POSADA 8/1/2018

SHEET 12 OF 12

LID AND PAN INSTALLATION

THIS DESIGN IS COVERED UNDER ONE OR MORE PATENTS AND PATENTS PENDING AND COPYING OF THIS DESIGN OR UNAUTHORIZED PRODUCTION OF THIS PRODUCT OR SIMILAR DEVICES IS STRICTLY FORBIDDEN.