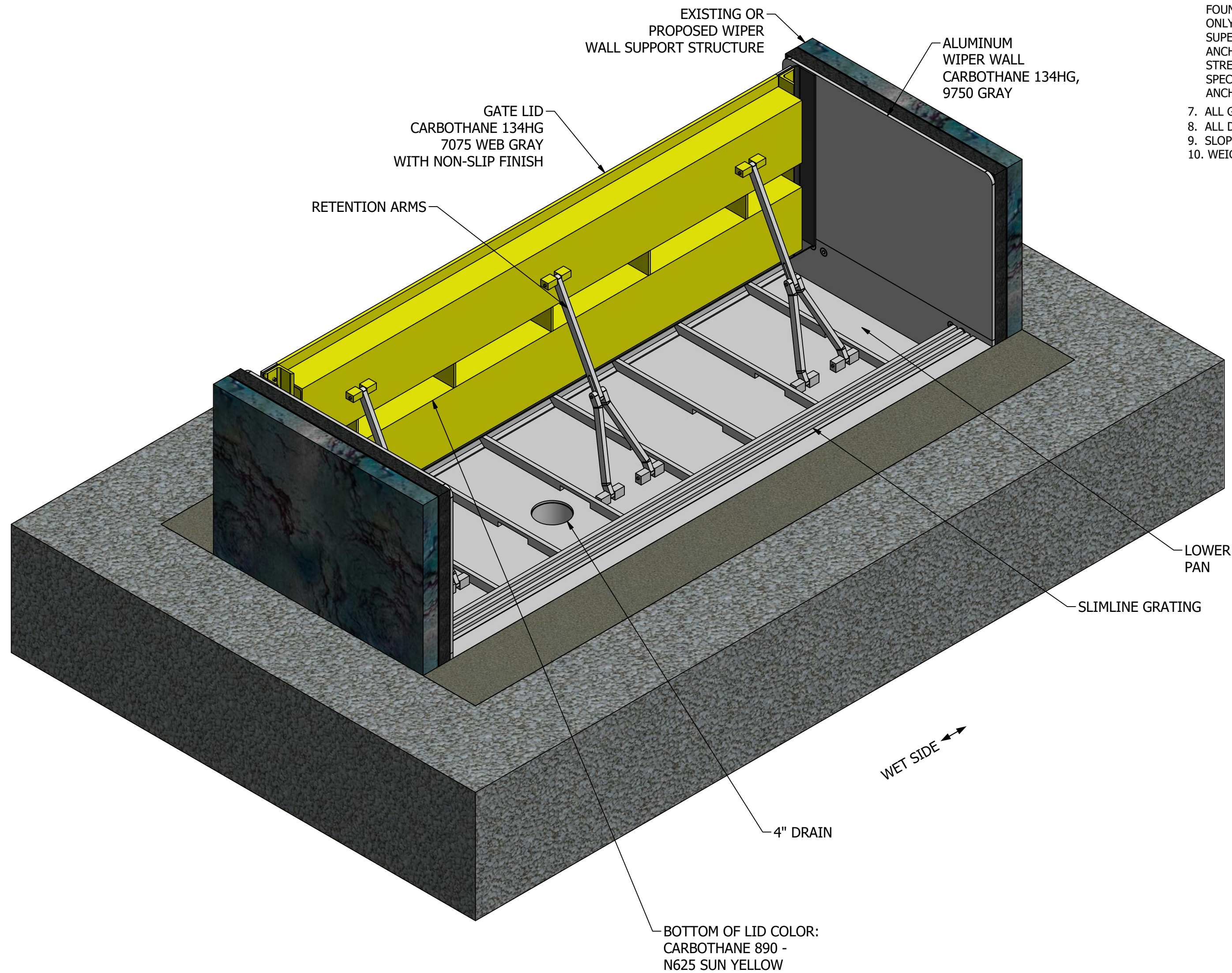


STRUCTURAL SPECIFICATIONS:

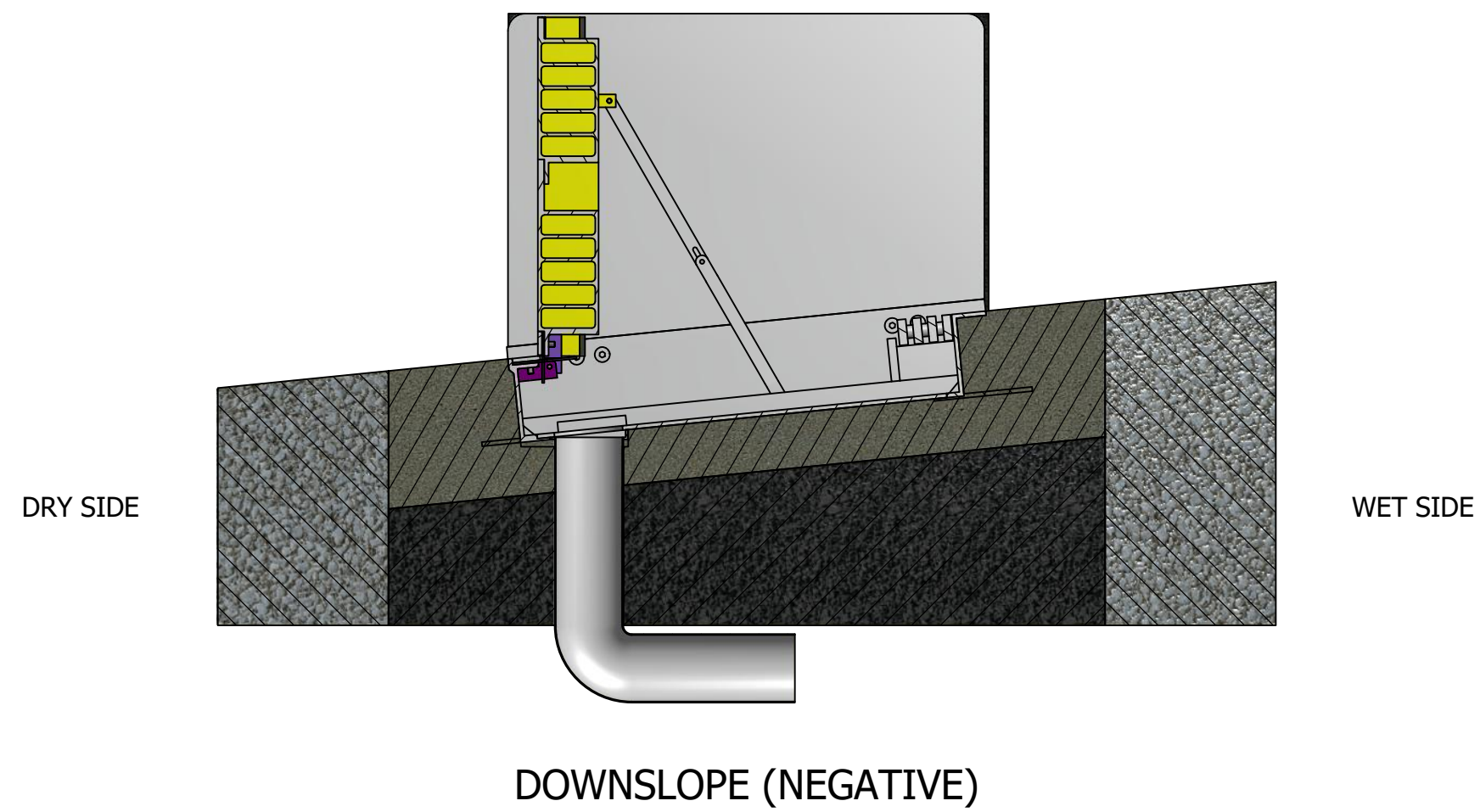
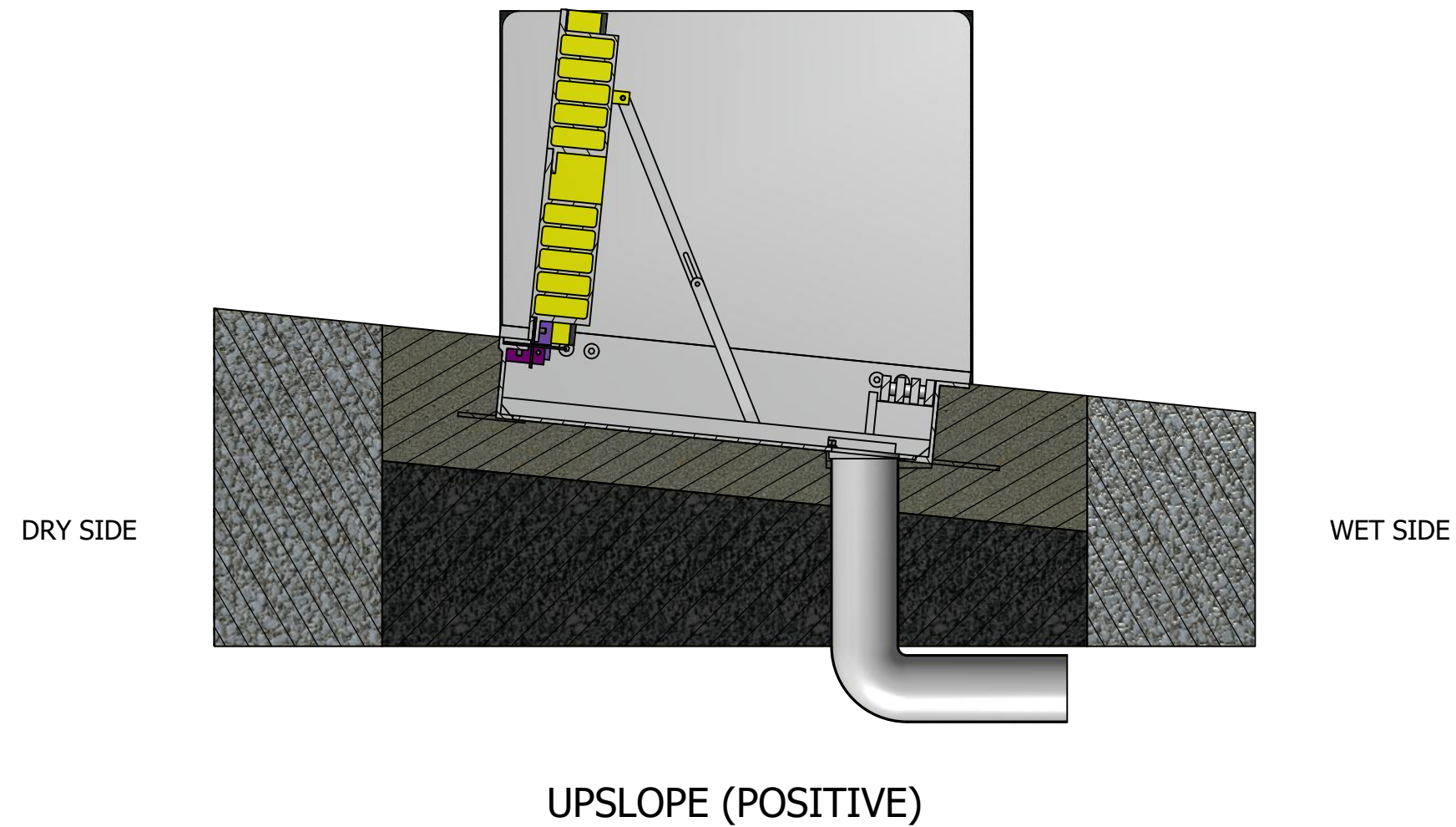
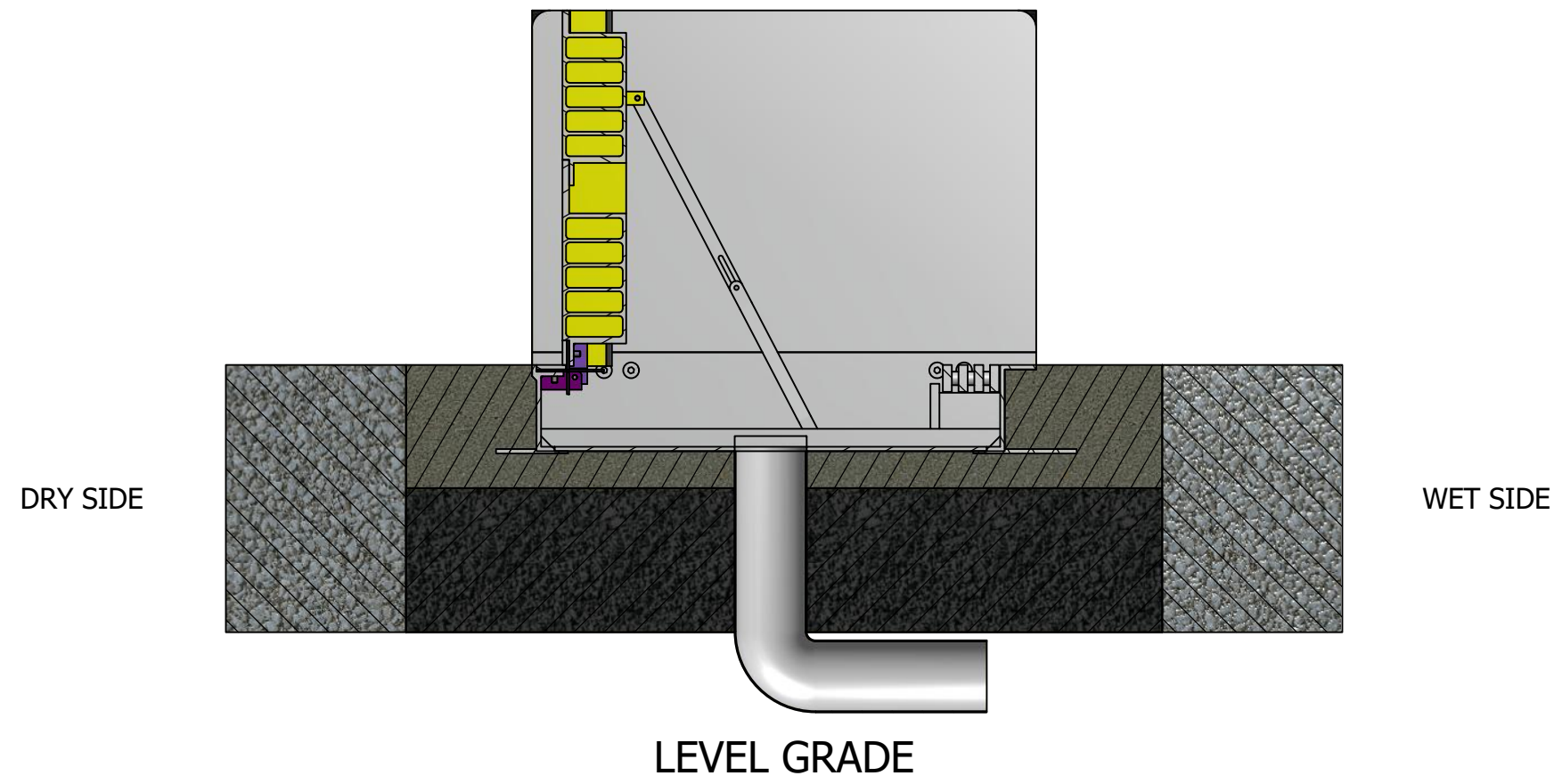
1. FLOODGATE MATERIAL TO BE ALUMINUM AS FOLLOWS:
 LID - ALUMINUM CONNECTED EXTRUSION - GRADE 6061 MIN. $F_y=35$ KSI
 PAN STIFFENERS - $\frac{1}{2}$ " ALUM FLAT BAR - GRADE 6061 MIN. $F_y=35$ KSI
 PAN - ALUMINUM CONNECTED EXTRUSION - GRADE 6061 MIN. $F_y=35$ KSI
 ALUM FLAT BARS, STRUCTURAL ANGLES, HINGES GRADE 6061-T6 MIN. $F_y=35$ KSI
 RETENTION ARMS - $\frac{3}{4}$ " x $\frac{1}{2}$ " ALUM FLAT BAR - GRADE 6061 MIN. $F_y=35$ KSI
2. HINGE BOLTS, PINS, AND MACHINE SCREWS TO BE STAINLESS STEEL - GRADE 304, MIN. $F_y=90$ KSI.
3. RETENTION ARM ANCHOR BOLTS SHALL BE STAINLESS STEEL STANDARD THREAD BOLTS SET IN VINYLESTER BASED ADHESIVE CONTAINED IN A GLASS CAPSULE, INSTALLED PER SIMPSON STRONG TIE SPECIFICATIONS.
4. ALUMINUM TO BE WELDED WITH ALUMINUM WIRE - PER 4043 AWS A5.10 3/64.
5. GROUT TO BE COMMERCIAL GRADE NON-SHRINKING GROUT.
6. ALL CONCRETE FOUNDATION POURS AND THEIR TIE-DOWNS TO EXISTING FOUNDATIONS SHOWN IN THESE DRAWINGS ARE FOR ILLUSTRATIVE PURPOSES ONLY. DESIGN OF THE CONCRETE FOUNDATION SLABS IS BY OTHERS. DESIGN AND SUPERVISION OF INSTALLATION OF RETENTION ARMS, ANCHOR BOLTS, AND GATE ANCHORS ARE BY FLOODBREAK. ALL CONCRETE TO BE 4000 PSI MINIMUM 28 DAY STRENGTH. REINFORCED IN EACH DIRECTION WITH ASTM - A615 MIN. $F_y=60$ KSI. SPECIAL ATTENTION SHALL BE PAID TO PROPER SUPPORT OF RETENTION ARM ANCHOR BOLTS INTO THE SUPPORTING CONCRETE.
7. ALL GASKET MATERIAL TO BE $\frac{1}{8}$ " EPDM RUBBER.
8. ALL DIMENSIONS IN FEET AND INCHES UNLESS OTHERWISE STATED.
9. SLOPE: NONE
10. WEIGHT: 312.7 LBS




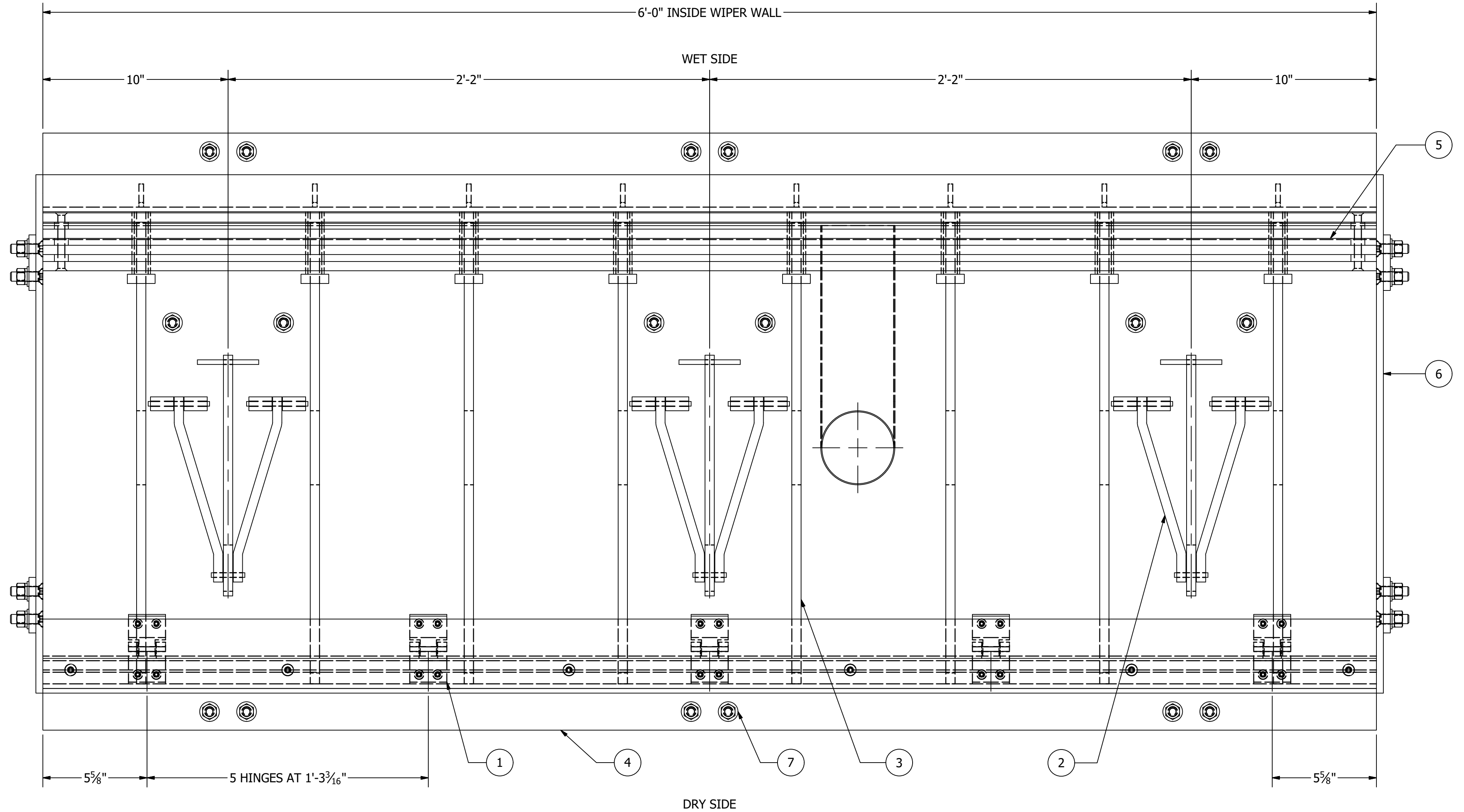
GENERAL ISOMETRIC LAYOUT



DEMO - SLIMLINE GATE STANDARD LOCATION SLIMLINE GATE 6'-0" L x 50cm		
SLIMLINE# 0003		
REV 0		
SCALE	VARIES	
DRAWN	A. JOLLY	8/1/2018
CHECKED	N. EASTMAN	8/1/2018
APPROVED	M. POSADA	8/1/2018
SHEET 1 OF 10		



 FloodBreak <small>REVOLUTIONARY FLOOD CONTROL</small>		
DEMO - SLIMLINE GATE STANDARD LOCATION SLIMLINE GATE 6'-0" L x 50cm		
SLIMLINE# 0003		
REV 0		
SCALE	VARIES	
DRAWN	A. JOLLY	8/1/2018
CHECKED	N. EASTMAN	8/1/2018
APPROVED	M. POSADA	8/1/2018
SHEET 2 OF 10		



RETENTION ARM AND HINGE LAYOUT

(LID REMOVED FOR CLARITY)

PARTS LIST	
ITEM	DESCRIPTION
1	HINGE
2	RETENTION ARM
3	PAN STIFFENER
4	PAN EXTRUSION
5	GRATING
6	WIPER WALL
7	1/2" ANCHOR BOLTS

FloodBreak
 REVOLUTIONARY FLOOD CONTROL

DEMO - SLIMLINE GATE
 STANDARD LOCATION
 SLIMLINE GATE
 6'-0" L x 50cm

SLIMLINE# 0003

REV 0

SCALE	VARIES	
DRAWN	A. JOLLY	8/1/2018
CHECKED	N. EASTMAN	8/1/2018
APPROVED	M. POSADA	8/1/2018
SHEET 3 OF 10		

EXISTING OR
PROPOSED
WIPER WALL
SUPPORT
STRUCTURE

6'-4" INSIDE WIPER WALL SUPPORT STRUCTURE

6'-0" INSIDE WIPER WALL

2" TYP

CONCRETE
SLAB

3'-6"
MIN
OPENING

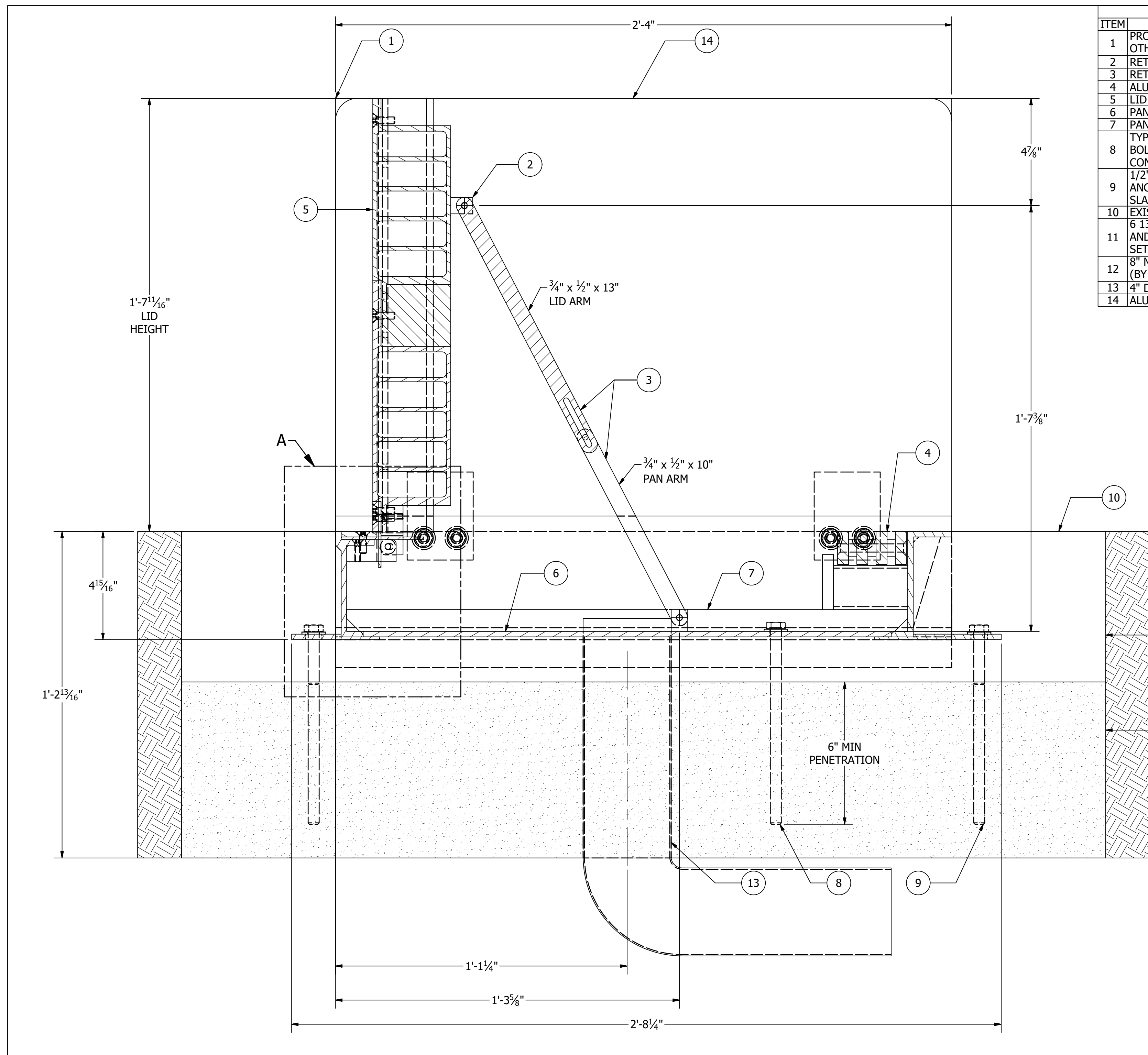
7"

7"

GATE INSTALLATION VIEW



DEMO - SLIMLINE GATE STANDARD LOCATION SLIMLINE GATE 6'-0" L x 50cm		
SLIMLINE# 0003		
REV 0		
SCALE	VARIES	
DRAWN	A. JOLLY	8/1/2018
CHECKED	N. EASTMAN	8/1/2018
APPROVED	M. POSADA	8/1/2018
SHEET 4 OF 10		



PARTS LIST	
ITEM	DESCRIPTION
1	PROPOSED OR EXISTING STONE WALL (BY OTHERS)
2	RETENTION ARM ANCHOR PLATE
3	RETENTION ARM LID AND PAN
4	ALUMINUM GRATING
5	LID EXTRUSION
6	PAN EXTRUSION
7	PAN STIFFENERS
8	TYPICAL 1/2" STAINLESS STEEL ANCHOR BOLTS SET IN EPOXY AND ANCHORED INTO CONCRETE STRUCTURAL SLAB AS SHOWN
9	1/2" STAINLESS STEEL INSTALLATION BOLTS ANCHORED INTO CONCRETE STRUCTURAL SLAB
10	EXISTING SURFACE
11	6 13/16" MIN TOPPING SLAB ENVELOPES PAN AND BRINGS IT UP TO GRADE (FIELD VERIFY SET-DOWN)
12	8" MINIMUM CONCRETE STRUCTURAL SLAB (BY OTHERS)
13	4" DRAIN
14	ALUMINUM WIPER WALL

FloodBreak
 REVOLUTIONARY FLOOD CONTROL

DEMO - SLIMLINE GATE
 STANDARD LOCATION
 SLIMLINE GATE
 6'-0" L x 50cm

SLIMLINE# 0003

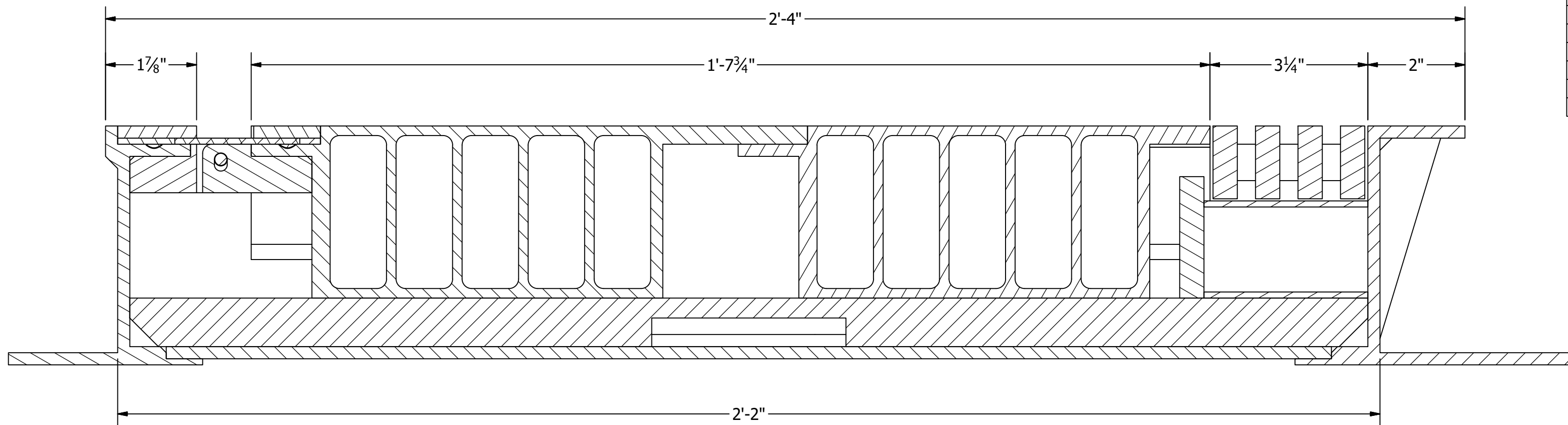
REV 0

SCALE VARIES

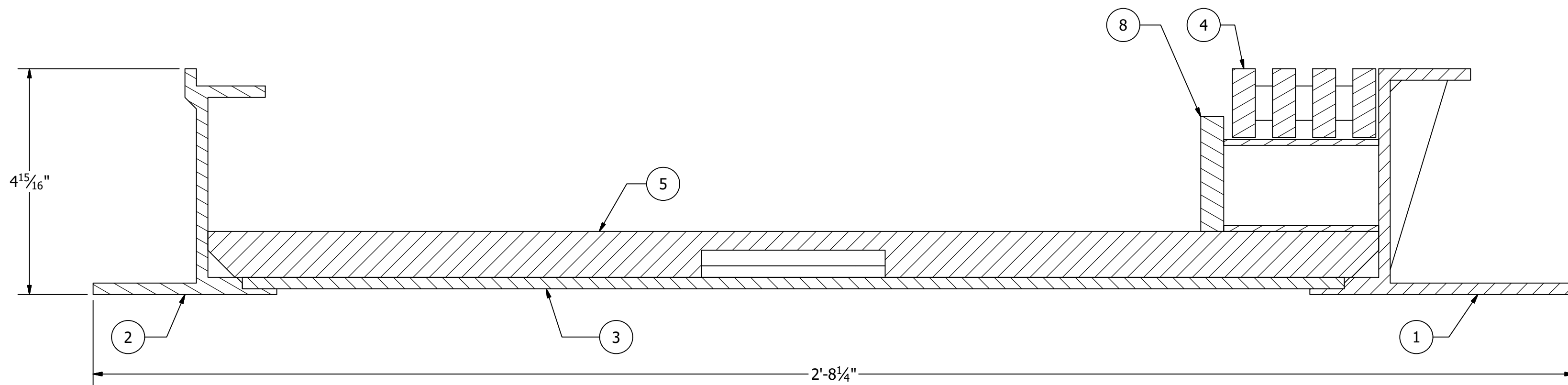
DRAWN	A. JOLLY	8/1/2018
CHECKED	N. EASTMAN	8/1/2018
APPROVED	M. POSADA	8/1/2018

SHEET 5 OF 10

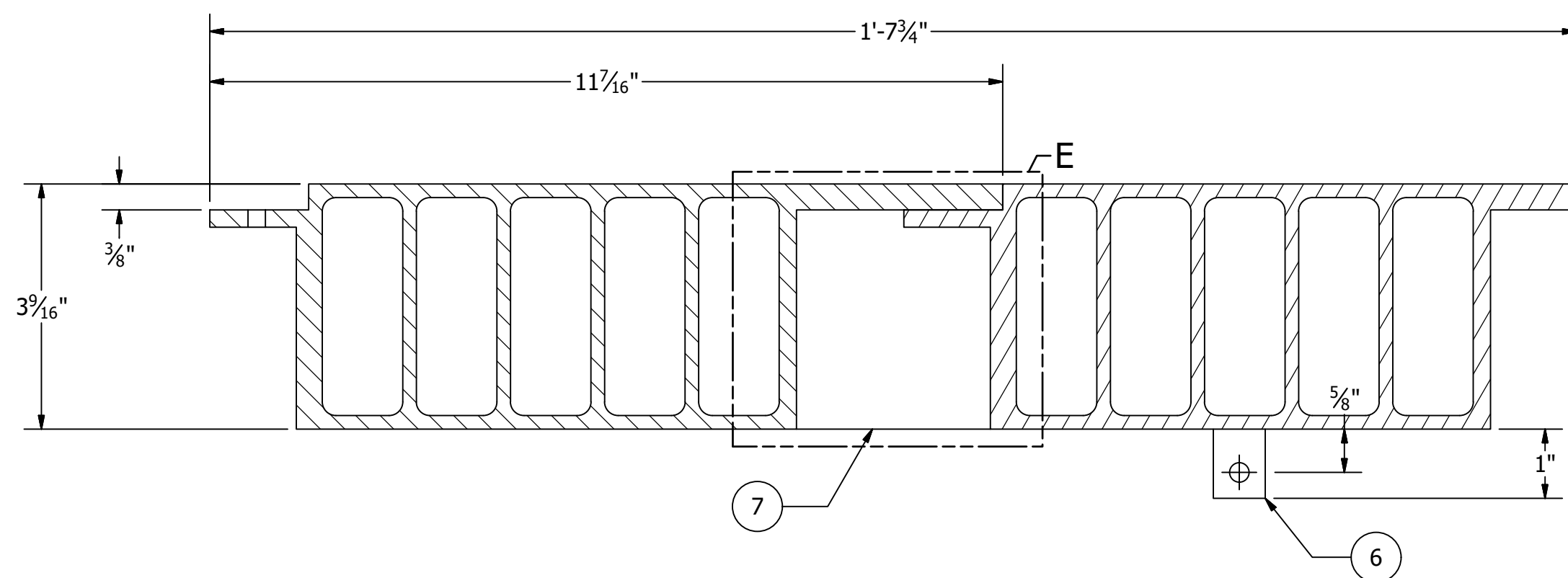
PARTS LIST	
ITEM	DESCRIPTION
1	WET SIDE PAN EXTRUSION
2	DRY SIDE PAN EXTRUSION
3	PAN PLATE
4	GRATING
5	PAN STIFFENER
6	LID RETENTION ANCHOR
7	LID SPLICE GUSSET
8	GRATING HOLDER



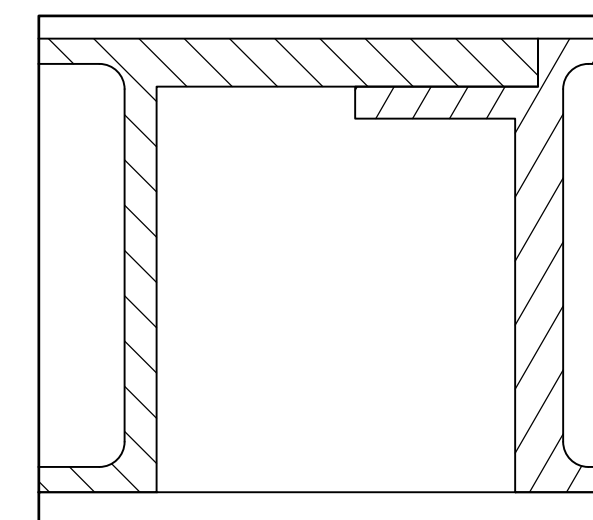
LID AND PAN SECTION



PAN SECTION



LID SECTION



DETAIL E
(SPLICE GUSSET DETAIL ON SHEET 9)

FloodBreak
REVOLUTIONARY FLOOD CONTROL

DEMO - SLIMLINE GATE
STANDARD LOCATION
SLIMLINE GATE
6'-0" L x 50cm

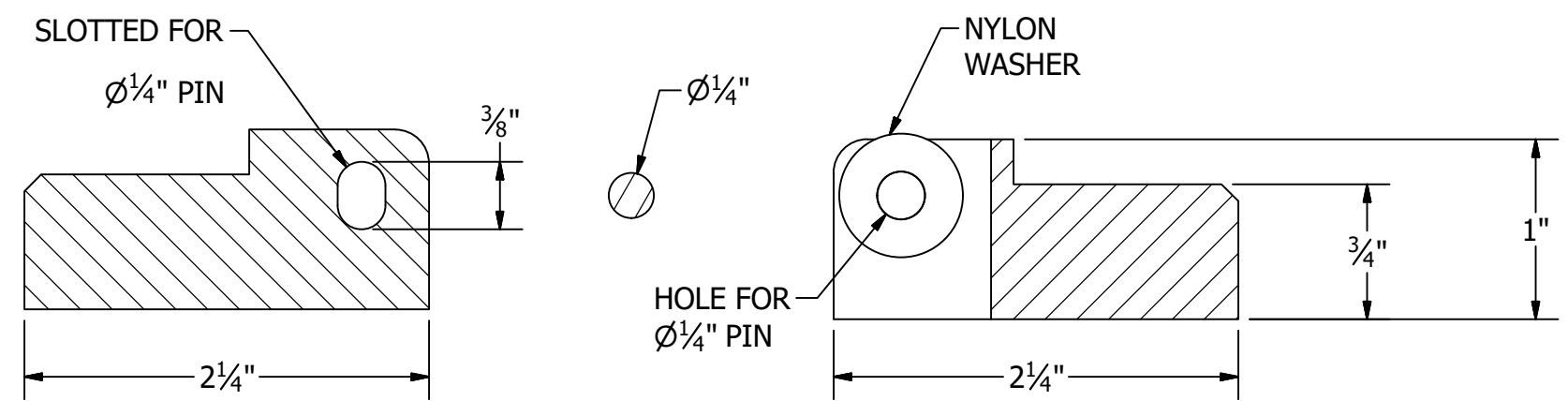
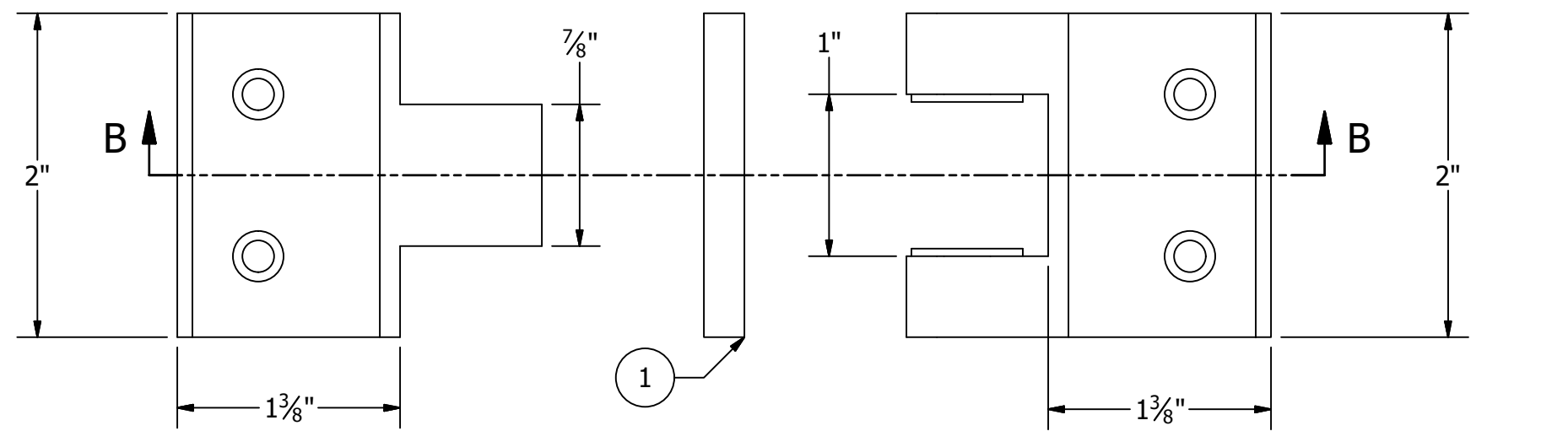
SLIMLINE# 0003

REV 0

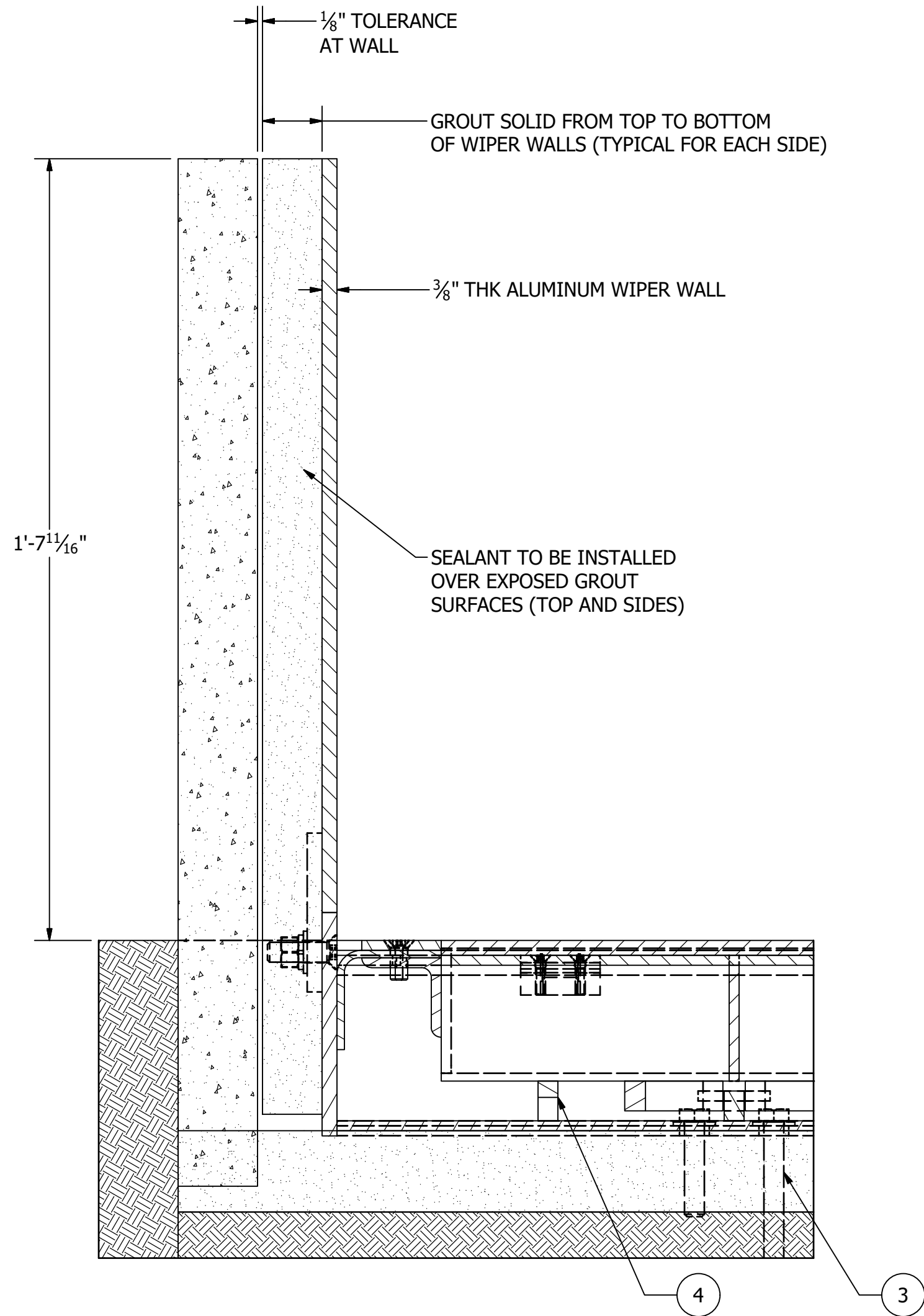
SCALE VARIES

DRAWN	A. JOLLY	8/1/2018
CHECKED	N. EASTMAN	8/1/2018
APPROVED	M. POSADA	8/1/2018

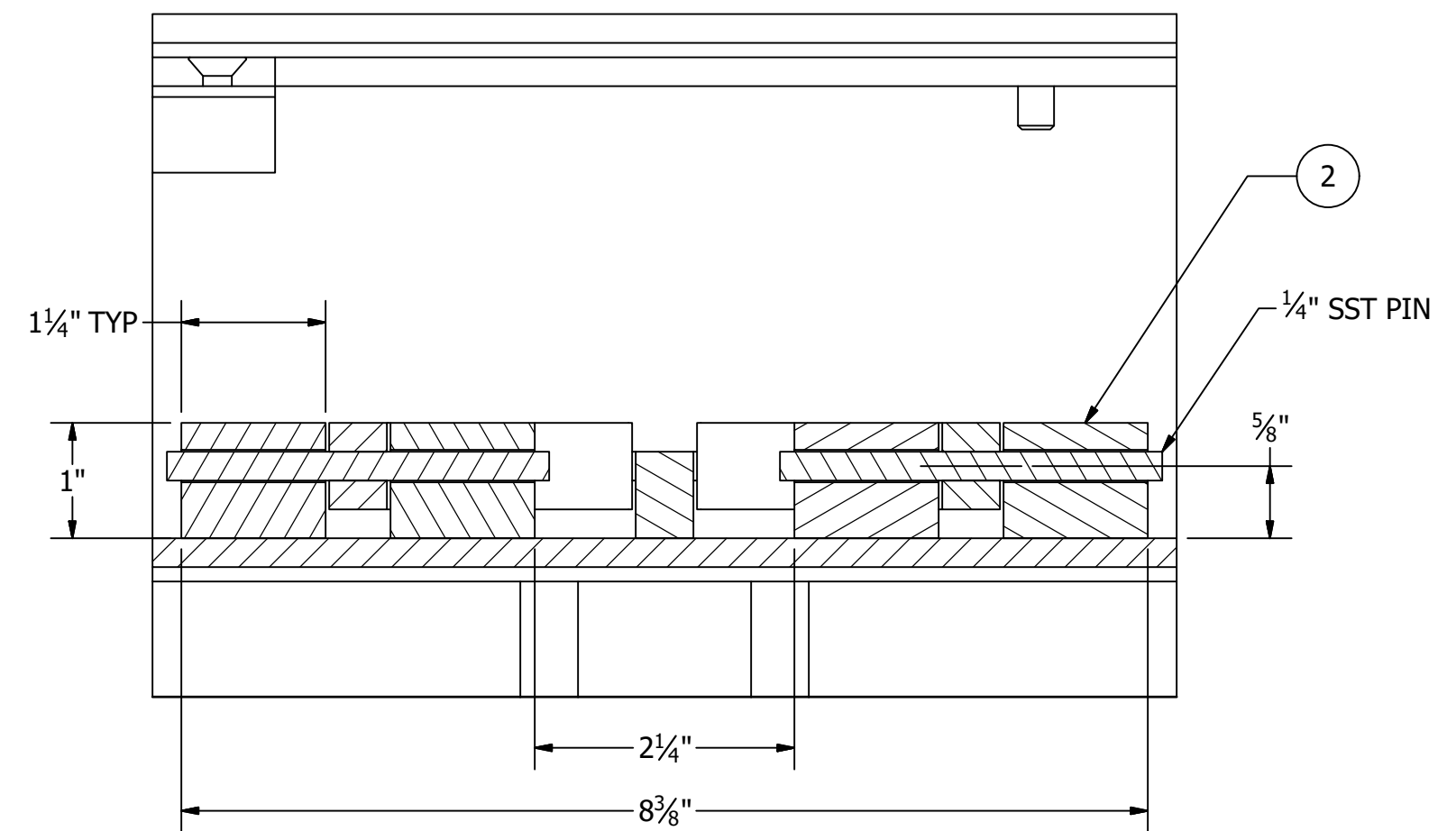
SHEET 6 OF 10



HINGE SECTION B-B

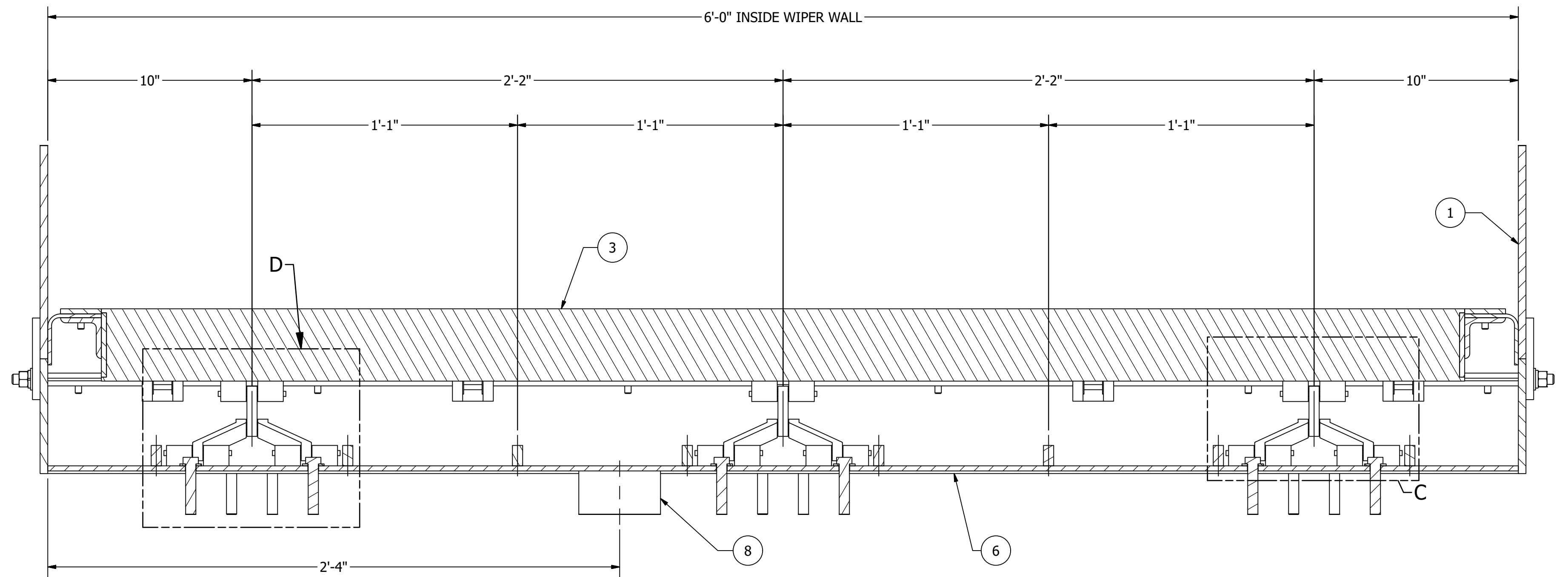


TYP FRONT WIPER WALL SECTION

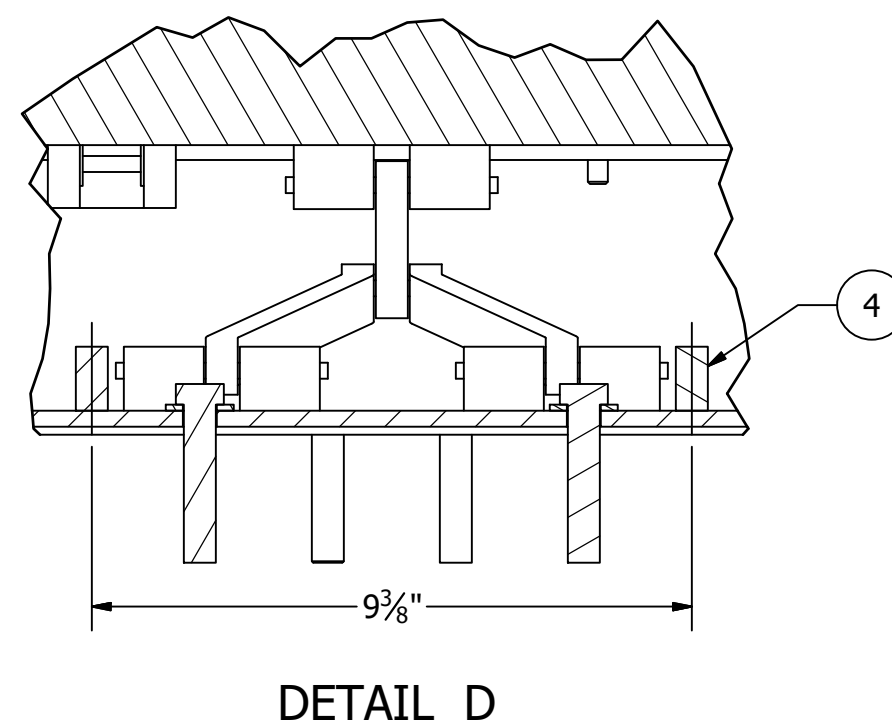
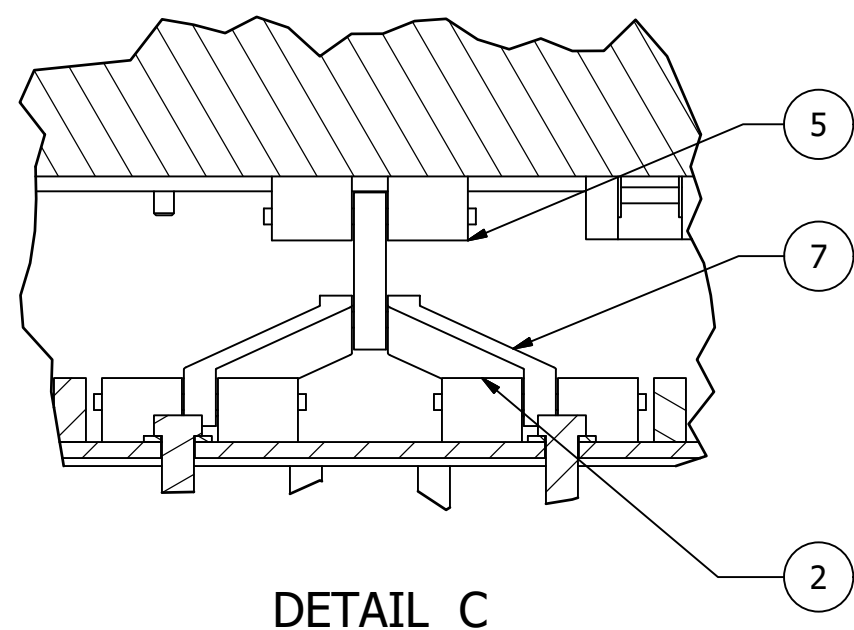


TYP PAN ANCHOR ASSY

		DEMO - SLIMLINE GATE STANDARD LOCATION SLIMLINE GATE 6'-0" L x 50cm	
		SLIMLINE# 0003	
		REV 0	
		SCALE	VARIES
ITEM	DESCRIPTION	DRAWN	8/1/2018
1	SMALL HINGE ASSY	A. JOLLY	8/1/2018
2	ANCHOR YOKES	N. EASTMAN	8/1/2018
3	1/2" ANCHOR BOLTS	M. POSADA	8/1/2018
4	PAN STIFFENER		
		SHEET 7 OF 10	



FRONT VIEW
RETENTION ARM
LAYOUT



PARTS LIST	
ITEM	DESCRIPTION
1	WIPER WALL
2	PAN ANCHOR YOKES
3	LID EXTRUSION
4	TYP 1" x 1 1/2" PAN STIFFENERS
5	LID ANCHOR YOKES
6	PAN EXTRUSION PLATE
7	TYP 3/4" x 1/2" RETENTION ARMS
8	4" DRAIN

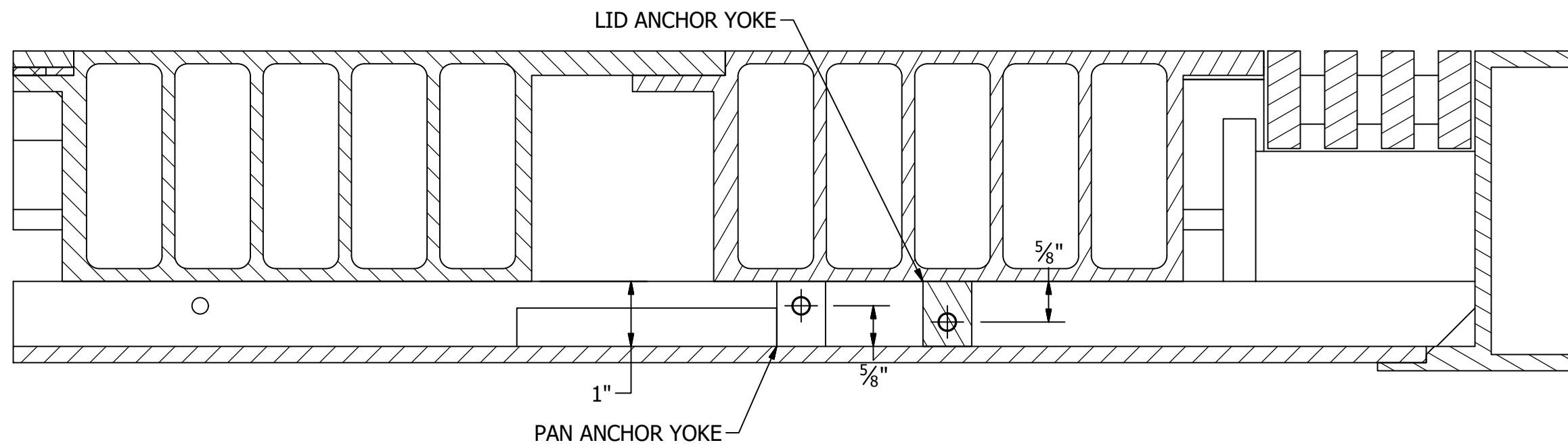
FloodBreak
REVOLUTIONARY FLOOD CONTROL

DEMO - SLIMLINE GATE
STANDARD LOCATION
SLIMLINE GATE
6'-0" L x 50cm

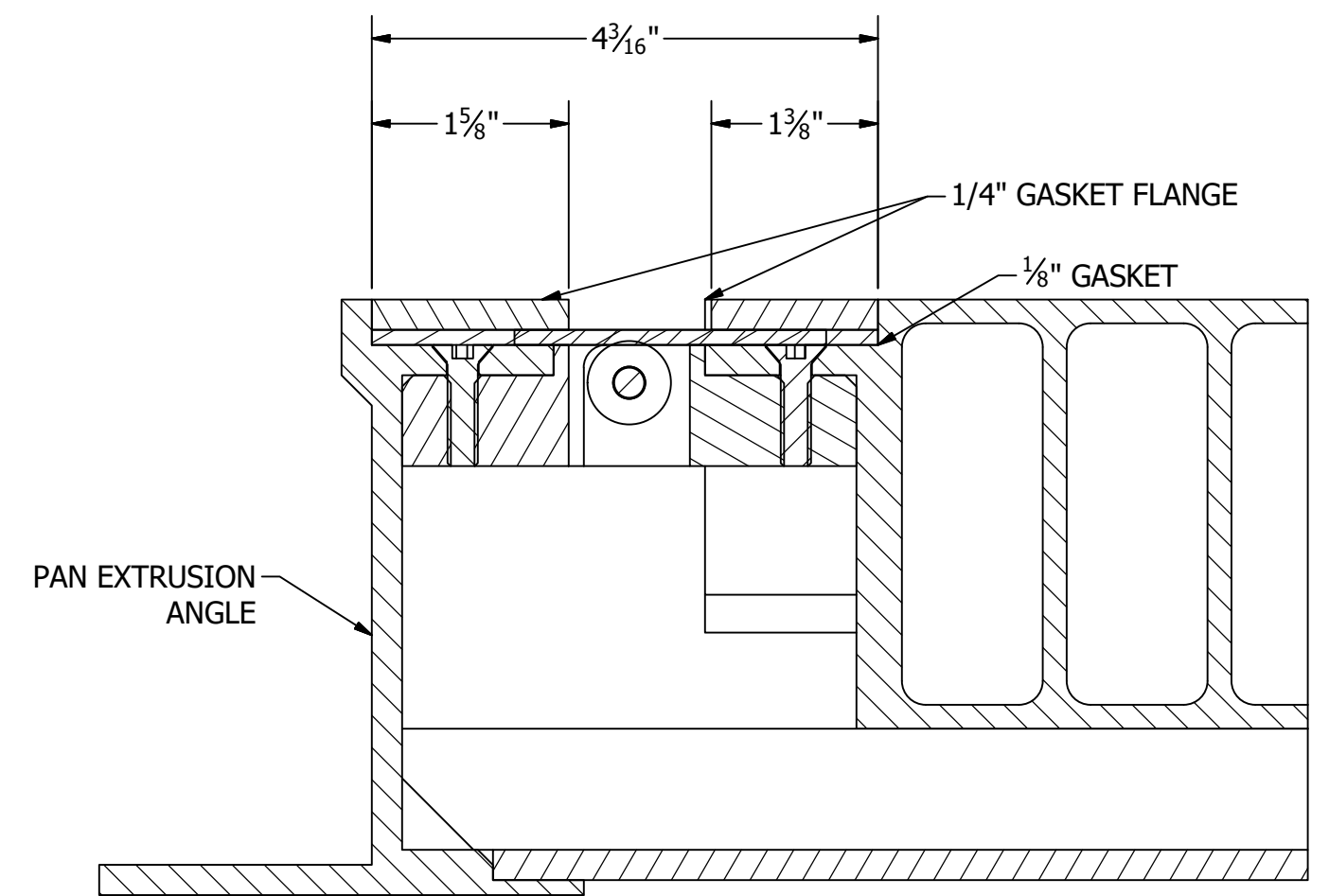
SLIMLINE# 0003

REV 0

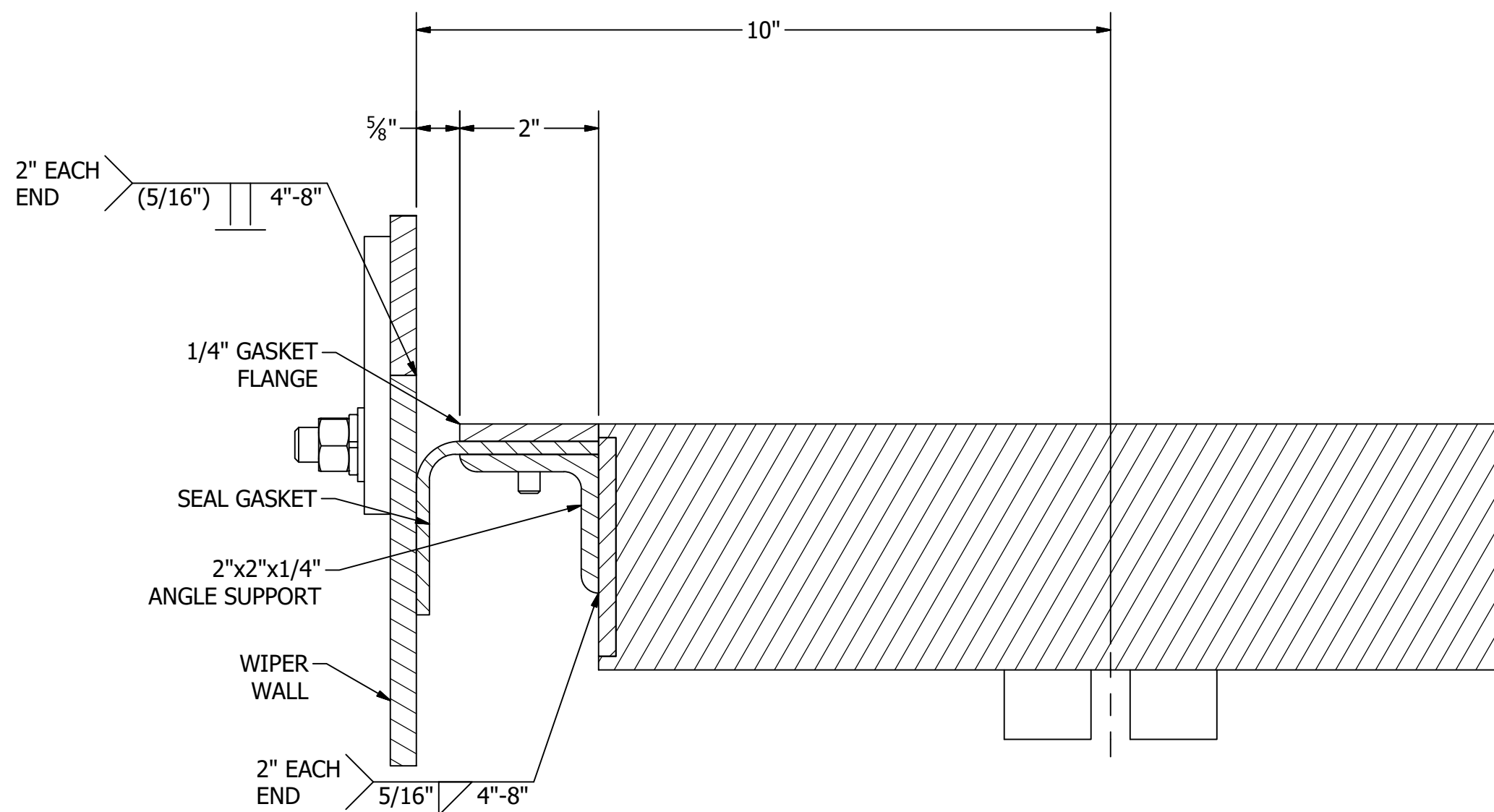
SCALE	VARIES	
DRAWN	A. JOLLY	8/1/2018
CHECKED	N. EASTMAN	8/1/2018
APPROVED	M. POSADA	8/1/2018
SHEET 8 OF 10		



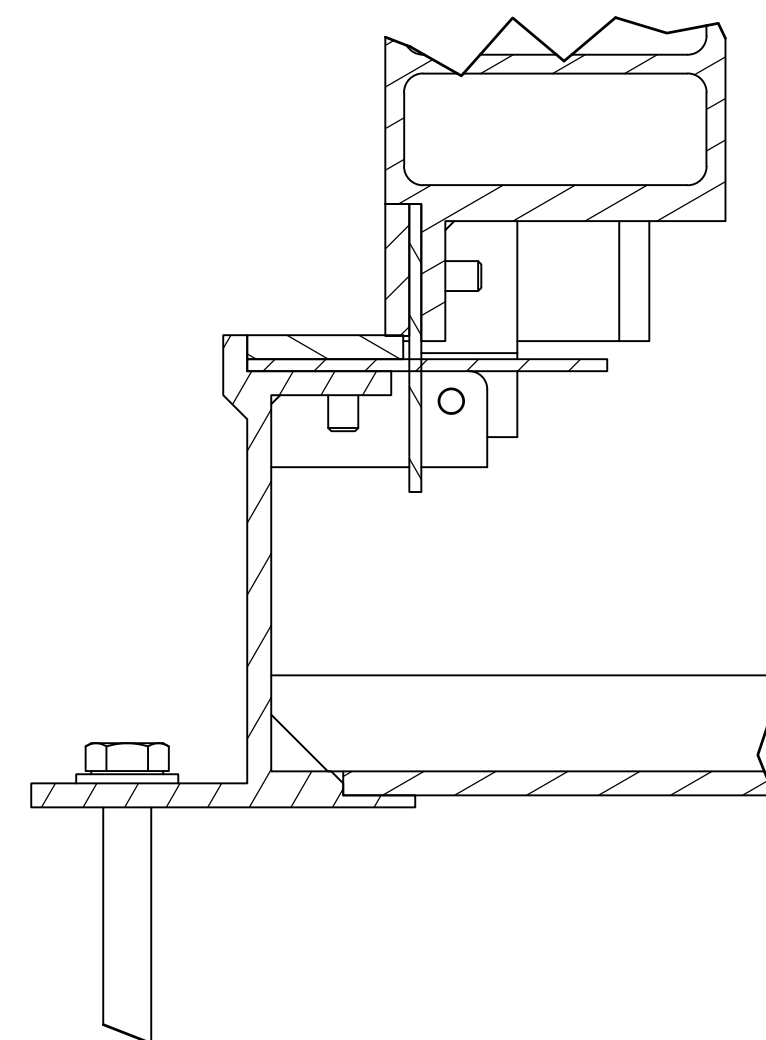
YOKE ANCHOR SECTION




HINGE DETAIL CLOSED

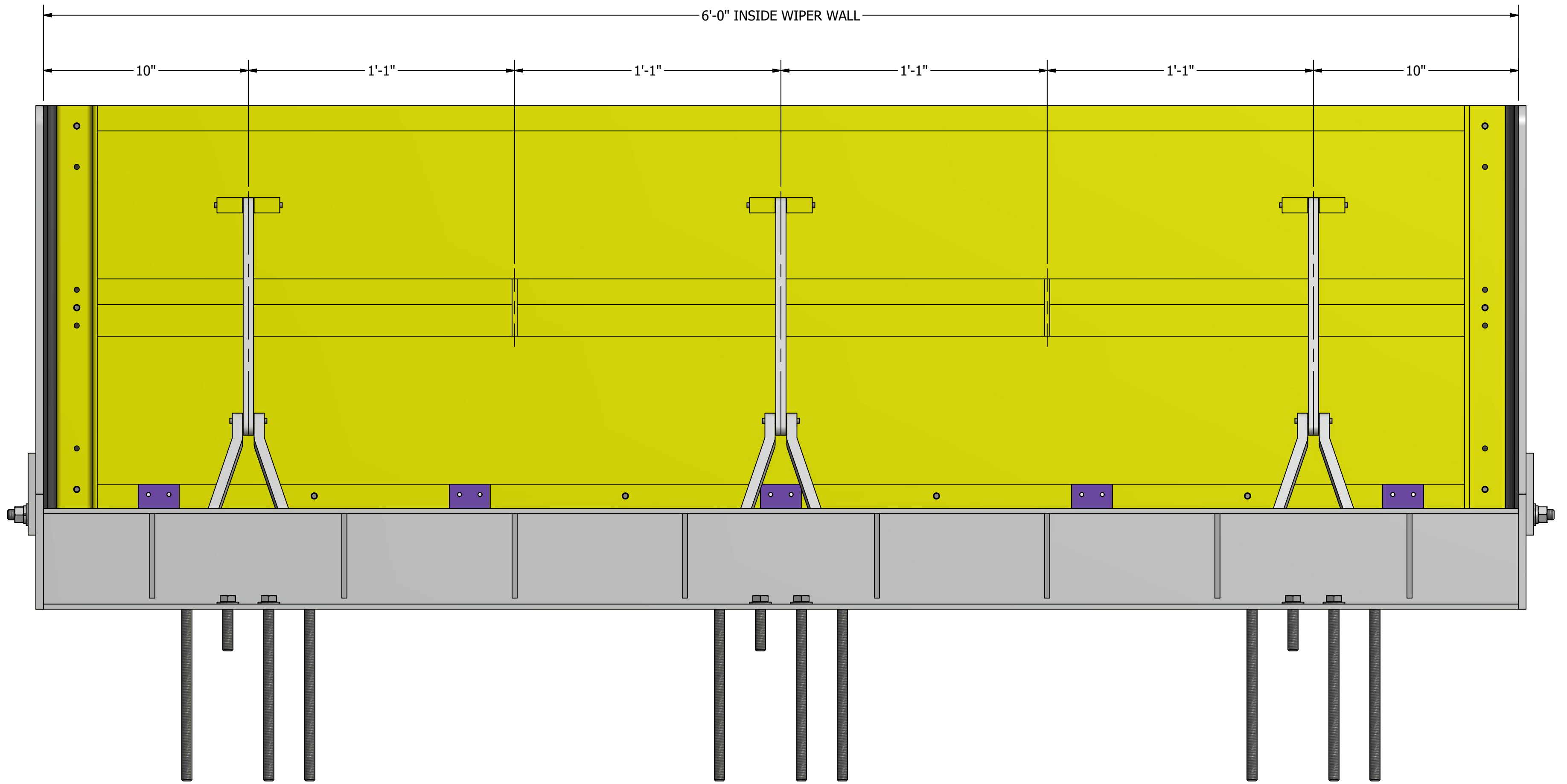


TYP LID AT WIPER WALL
(CROPPED)

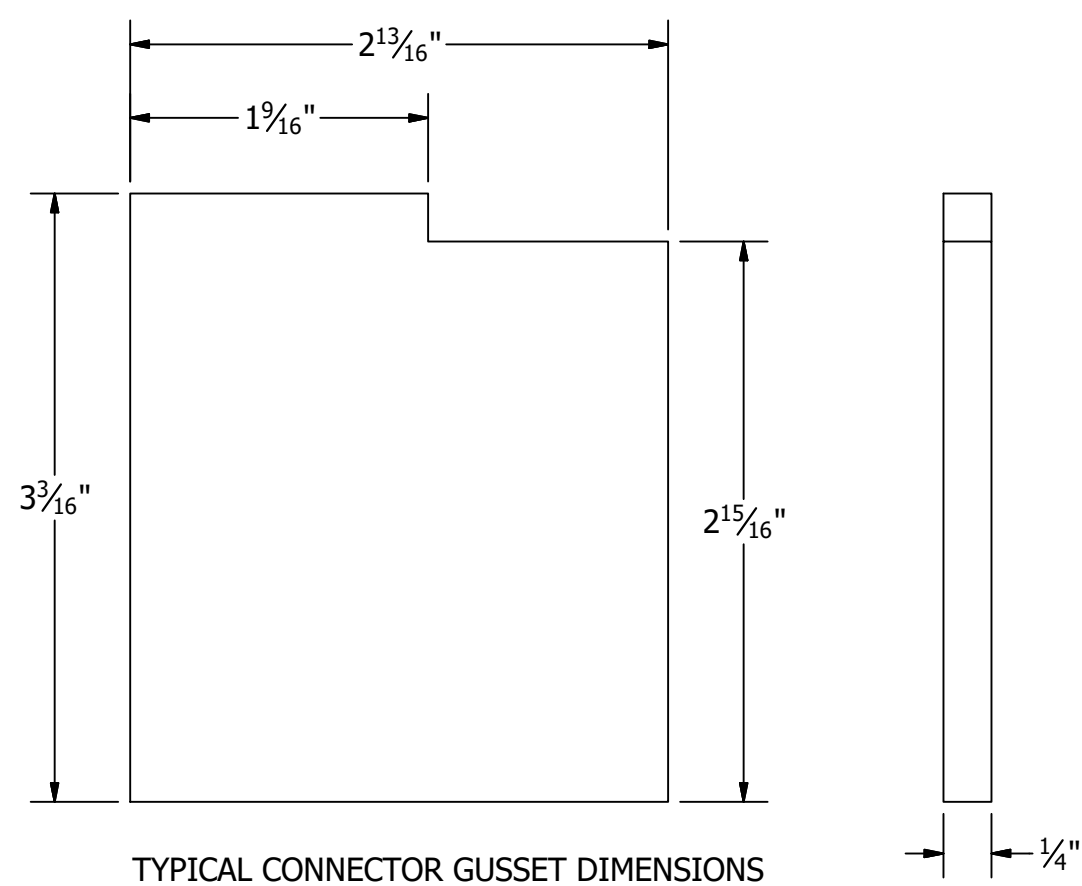



DETAIL A
HINGE OPEN

 FloodBreak <small>REVOLUTIONARY FLOOD CONTROL</small>		
DEMO - SLIMLINE GATE STANDARD LOCATION SLIMLINE GATE 6'-0" L x 50cm		
SLIMLINE# 0003		
REV 0		
SCALE	VARIES	
DRAWN	A. JOLLY	8/1/2018
CHECKED	N. EASTMAN	8/1/2018
APPROVED	M. POSADA	8/1/2018
SHEET 9 OF 10		



FRONT VIEW OF GATE WITH
LID LIFTED EXPOSING
CONNECTOR GUSSETS



 FloodBreak <small>REVOLUTIONARY FLOOD CONTROL</small>		
DEMO - SLIMLINE GATE STANDARD LOCATION SLIMLINE GATE 6'-0" L x 50cm		
SLIMLINE# 0003		
REV 0		
SCALE	VARIES	
DRAWN	A. JOLLY	8/1/2018
CHECKED	N. EASTMAN	8/1/2018
APPROVED	M. POSADA	8/1/2018
SHEET 10 OF 10		