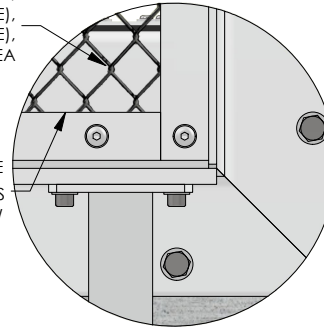


# STRUCTURAL SPECIFICATIONS:

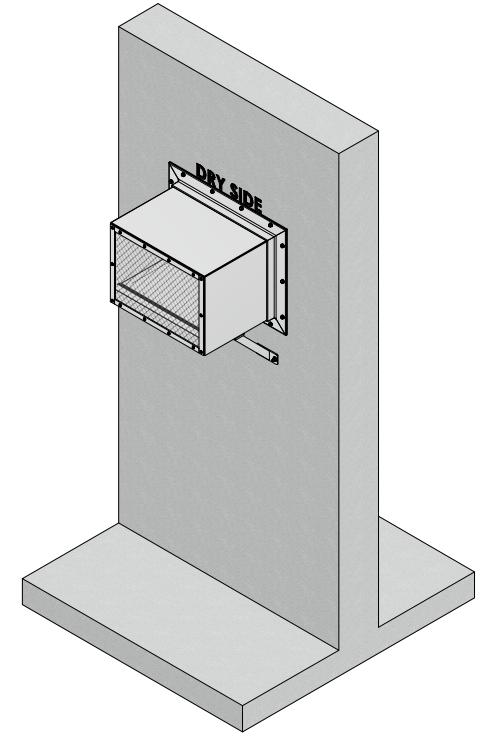
- MATERIAL TO BE ALUMINUM AS FOLLOWS:
  - SMOOTH AL SHEET/PLATE - GRADE 5052 MIN Fy=25.8 KSI AND GRADE 6061 MIN Fy=35 KSI
  - AL FLAT BARS, ANGLES, CHANNELS AND HINGES - GRADE 6061 MIN Fy=35 KSI
- HINGE PINS TO BE STAINLESS STEEL GRADE 304 MIN Fy=50 KSI
- BOLTS AND FASTENERS TO BE STAINLESS STEEL GRADE 304 MIN Fy=30 KSI
- ANCHORS USED IN CONCRETE WALL TO BE STAINLESS STEEL GRADE 316 MIN Fy=30 KSI
- ALUMINUM TO BE WELDED WITH ALUMINUM WIRE - PER 4043 AWS A5.10
- ALL GASKET MATERIAL TO BE EPDM RUBBER.
- WEIGHTS:
  - SHELL: 103.5 LBS
  - PANEL: 34.7 LBS
  - TOTAL WEIGHT: 193.9 LBS
- FEDERAL, STATE AND OTHER LOCAL BUILDING CODES/REGULATIONS INCLUDING BUT NOT LIMITED TO ACCESSIBILITY CODES AND REGULATIONS MAY APPLY. COMPLIANCE TO ANY AND ALL CODES, REGULATIONS AND GUIDELINES ARE BY OTHERS.

SQUARE, SST 304 WELDED, TRIMMED, 2 X 2 MESH (SQUARE), 0.437" X 0.437" OPENING (SQUARE), .063" THK (16 GA) WIRE, 76% OPEN AREA

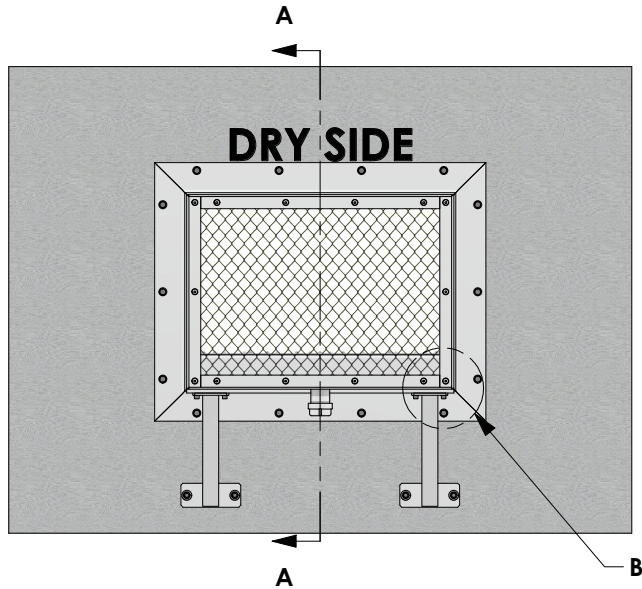
MESH RETAINING FRAME  
REMOVABLE 1/4" X 1 1/2" FLAT BARS FASTENED WITH SST HDW



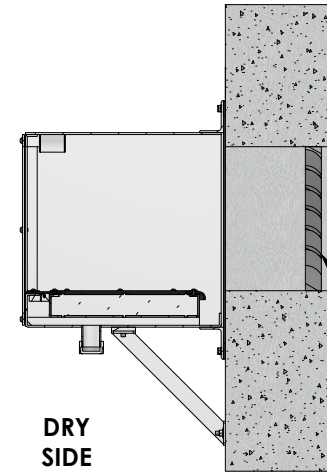
DETAIL B



ISOMETRIC VIEW



TYPICAL HORIZONTAL VENT SYSTEM



SECTION A-A

EXISTING DECORATIVE LOUVER RESET INTO MASONRY OPENING (BY OTHERS)

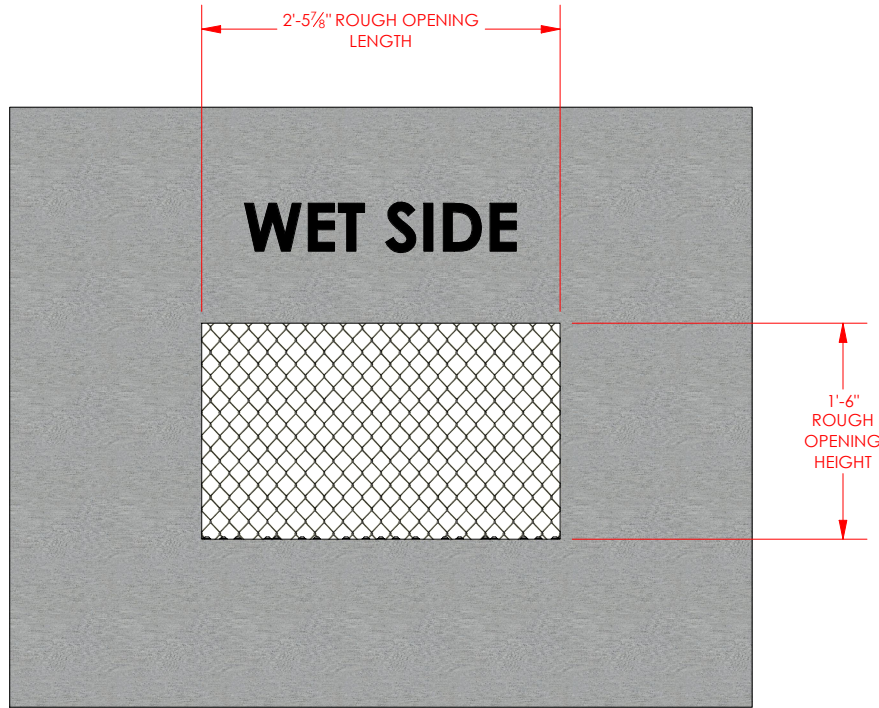
DRY SIDE

WET SIDE

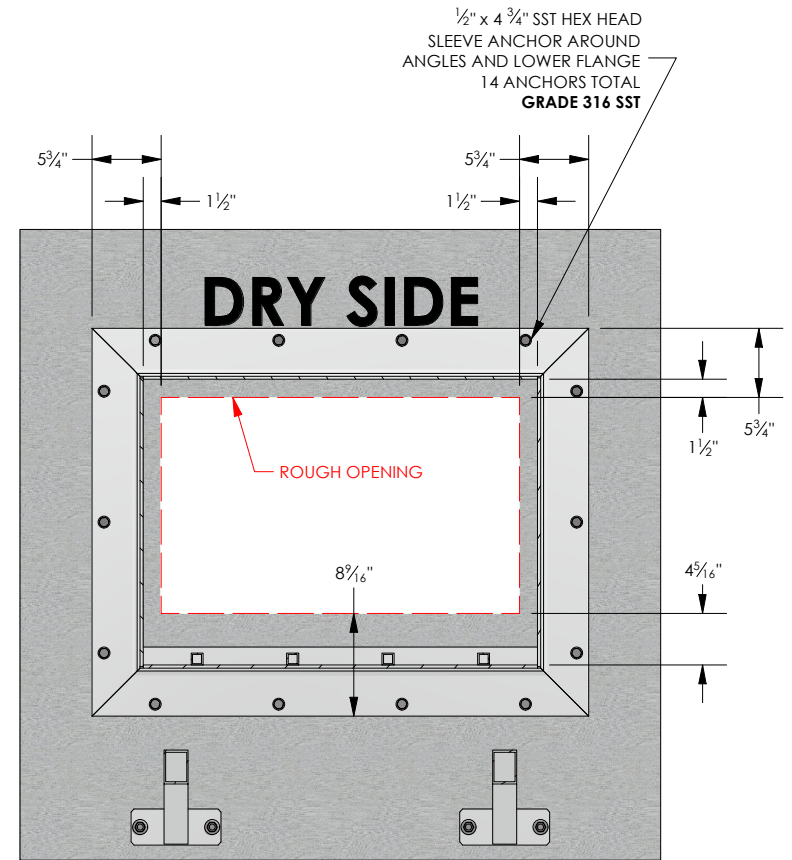
**CONTRACTOR ACKNOWLEDGEMENT:** \_\_\_\_\_

FINISH		CONTRACT		<b>FloodBreak</b> REVOLUTIONARY FLOOD CONTROL <a href="http://floodbreak.com">http://floodbreak.com</a>	
SERIAL		PRODUCT			
THE INFORMATION CONTAINED IN THIS DRAWING IS THE SOLE INTELLECTUAL PROPERTY OF <b>FLOODBREAK, LLC.</b> , AND IS COVERED BY U.S. PATENTS AT PAT: <a href="http://floodbreak.com/patents/">HTTP://FLOODBREAK.COM/PATENTS/</a> AND PATENTS PENDING. ANY REPRODUCTION IN PART OR AS A WHOLE WITHOUT THE WRITTEN PERMISSION OF <b>FLOODBREAK, LLC.</b> IS PROHIBITED.		NAME	DATE	TITLE	
		DRAWN			
		CHECKED			
		APPROVED		SHEET SIZE DRAWING	
<b>DO NOT SCALE DRAWING</b>		SCALE	A	1	
		N/A	1 OF 10		

# ELEVATION VIEWS



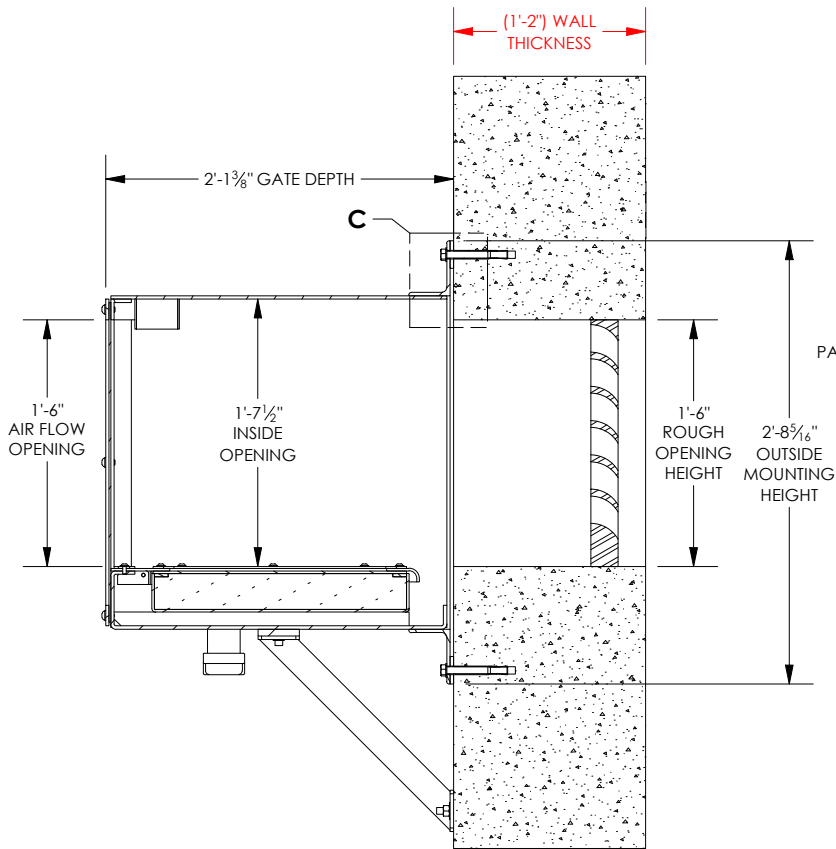
ELEVATION VIEW FROM WET SIDE



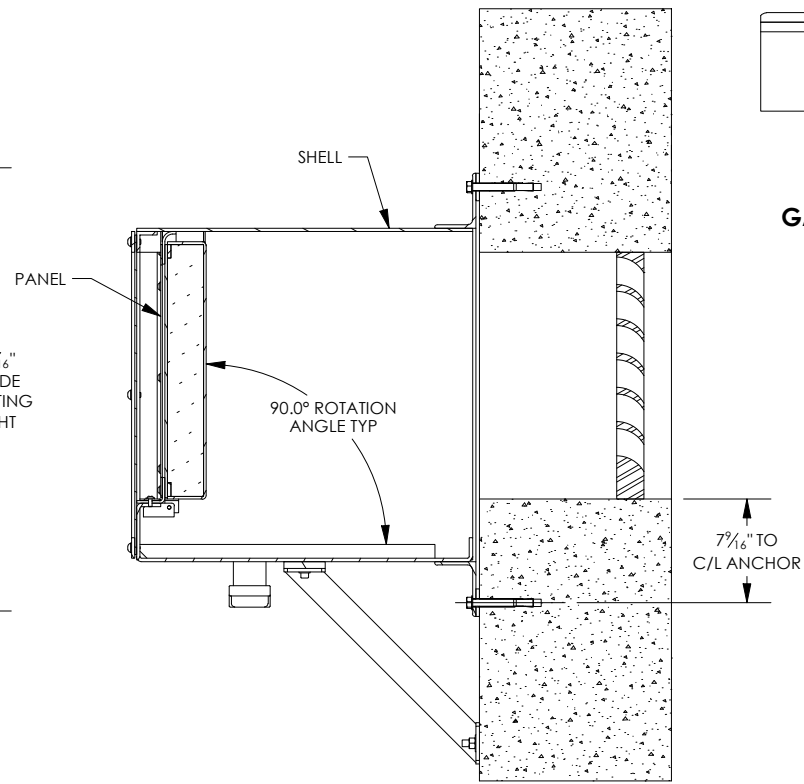
ELEVATION VIEW FROM DRY SIDE  
ROUGH OPENING DIMS TO INSIDE WALLS

**CONTRACTOR ACKNOWLEDGEMENT:** \_\_\_\_\_

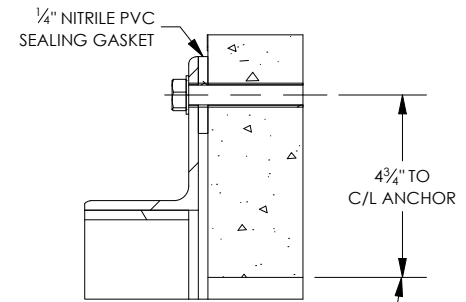
FINISH		CONTRACT		<b>FloodBreak</b> REVOLUTIONARY FLOOD CONTROL <a href="http://floodbreak.com">http://floodbreak.com</a>		
SERIAL		PRODUCT				
THE INFORMATION CONTAINED IN THIS DRAWING IS THE SOLE INTELLECTUAL PROPERTY OF <b>FLOODBREAK, LLC.</b> , AND IS COVERED BY U.S. PATENTS AT PAT: <a href="http://floodbreak.com/patents/">HTTP://FLOODBREAK.COM/PATENTS/</a> AND PATENTS PENDING. ANY REPRODUCTION IN PART OR AS A WHOLE WITHOUT THE WRITTEN PERMISSION OF <b>FLOODBREAK, LLC.</b> IS PROHIBITED.				NAME	DATE	
				DRAWN		
				CHECKED		
				APPROVED		
<b>DO NOT SCALE DRAWING</b>				SHEET SIZE	DRAWING	
				A		
				SCALE	N/A	
				SHEET	2 OF 10	
				REV	1	



**SECTION VIEW IN PASSIVE POSITION**



**SECTION VIEW IN ACTIVE POSITION**

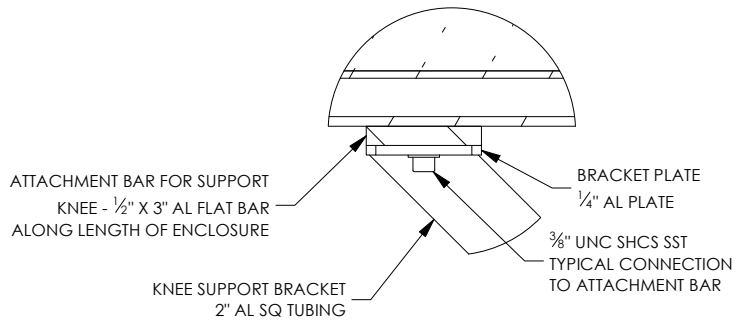


**DETAIL C GASKET DETAIL**

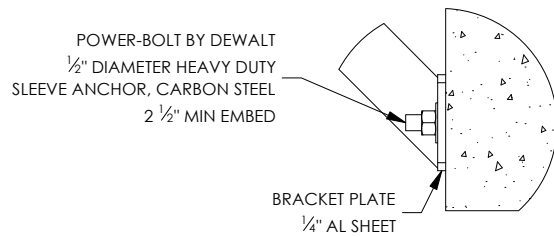
TYP TOP, LEFT, AND RIGHT SIDE

**CONTRACTOR ACKNOWLEDGEMENT:** \_\_\_\_\_

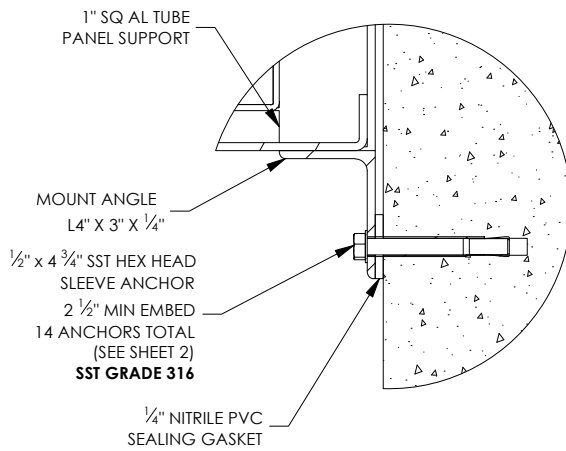
FINISH		CONTRACT		<b>FloodBreak</b> REVOLUTIONARY FLOOD CONTROL <a href="http://floodbreak.com">http://floodbreak.com</a>	
SERIAL		PRODUCT			
THE INFORMATION CONTAINED IN THIS DRAWING IS THE SOLE INTELLECTUAL PROPERTY OF <b>FLOODBREAK, LLC.</b> , AND IS COVERED BY U.S. PATENTS AT PAT: <a href="http://floodbreak.com/patents/">HTTP://FLOODBREAK.COM/PATENTS/</a> AND PATENTS PENDING. ANY REPRODUCTION IN PART OR AS A WHOLE WITHOUT THE WRITTEN PERMISSION OF <b>FLOODBREAK, LLC.</b> IS PROHIBITED.				NAME	DATE
				DRAWN	
				CHECKED	
				APPROVED	
<b>DO NOT SCALE DRAWING</b>				SHEET SIZE A	DRAWING 1
				SCALE N/A	SHEET 3 OF 10



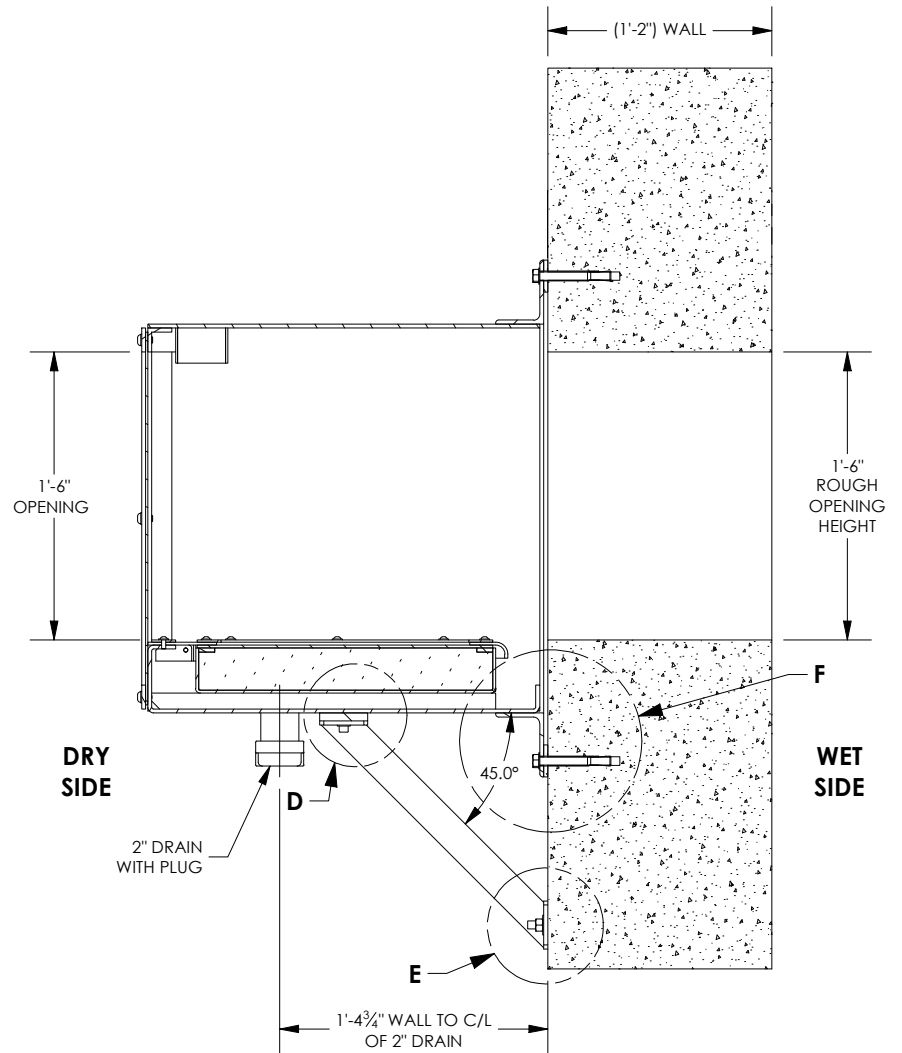
**DETAIL D  
KNEE BRACE ATTACHMENT**



**DETAIL E  
KNEE BRACE AT WALL**

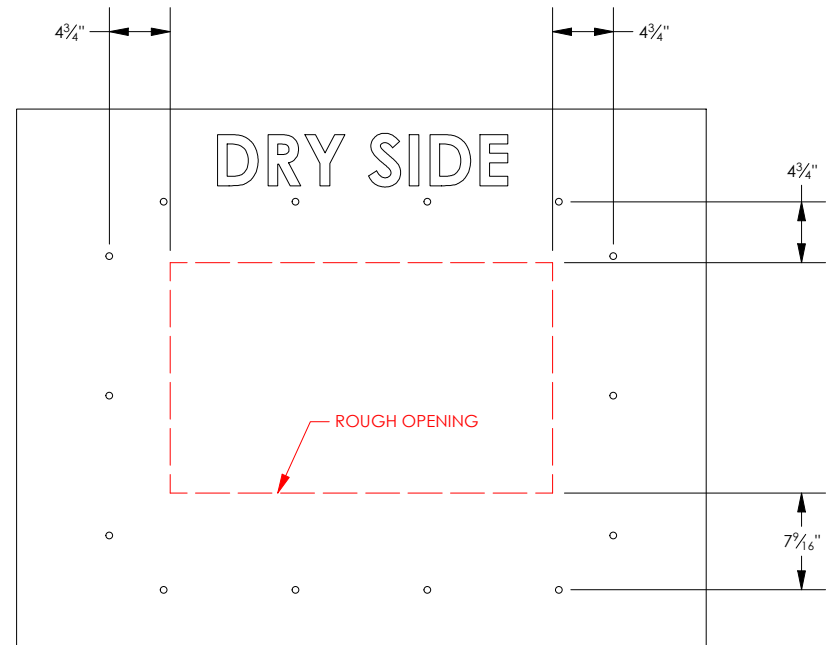
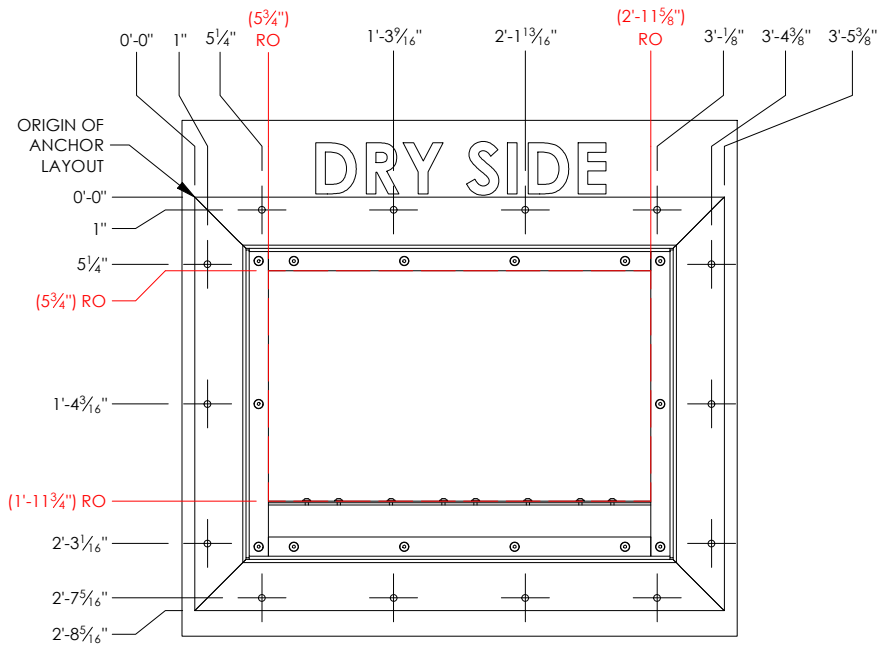


**DETAIL F  
GASKET AND ANCHOR  
EMBED DETAILS**



**SECTION VIEW IN  
PASSIVE POSITION**

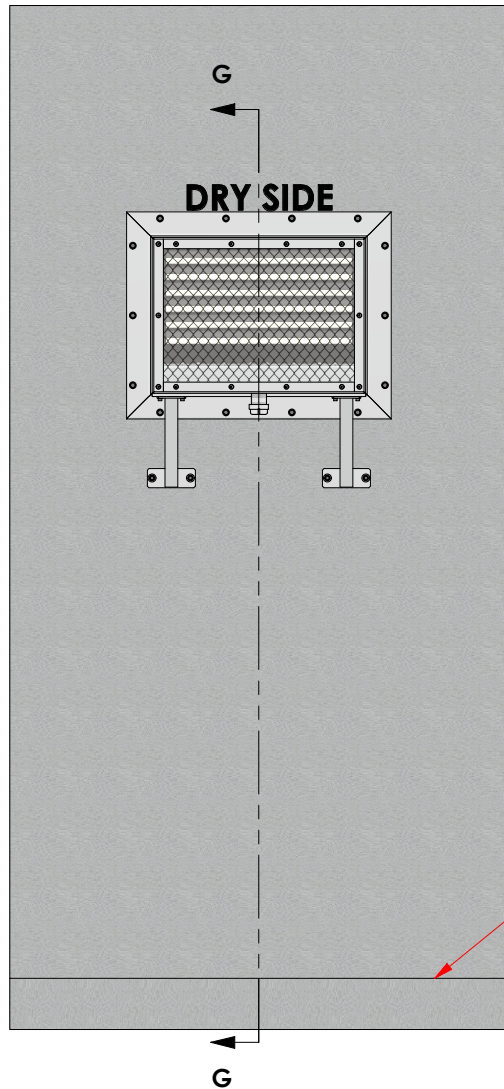
FINISH		CONTRACT		<b>FloodBreak</b> REVOLUTIONARY FLOOD CONTROL <a href="http://floodbreak.com">http://floodbreak.com</a>	
SERIAL		PRODUCT			
THE INFORMATION CONTAINED IN THIS DRAWING IS THE SOLE INTELLECTUAL PROPERTY OF <b>FLOODBREAK, LLC.</b> , AND IS COVERED BY U.S. PATENTS AT PAT: <a href="http://floodbreak.com/patents/">HTTP://FLOODBREAK.COM/PATENTS/</a> AND PATENTS PENDING. ANY REPRODUCTION IN PART OR AS A WHOLE WITHOUT THE WRITTEN PERMISSION OF <b>FLOODBREAK, LLC.</b> IS PROHIBITED.				NAME	DATE
				DRAWN	
				CHECKED	
				APPROVED	
<b>DO NOT SCALE DRAWING</b>				SHEET SIZE A	DRAWING 1
SCALE N/A				SHEET 4 OF 10	



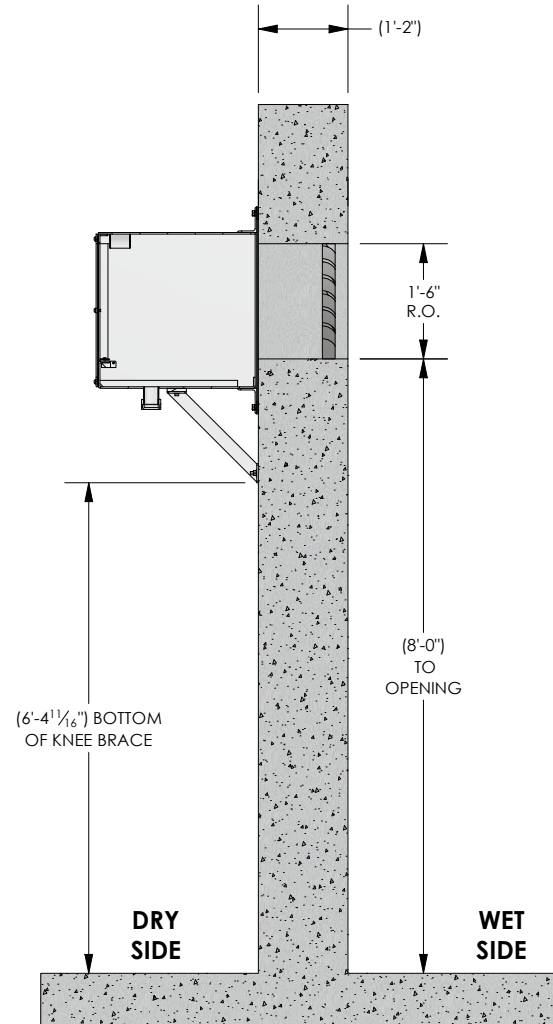
**MOUNTING HOLE PLACEMENT DIMENSIONS**  
 FOR FABRICATION REFERENCE ONLY.  
 HOLES IN CONCRETE TO BE MATCH-DRILLED IN FIELD.

FINISH		CONTRACT		<b>FloodBreak</b> REVOLUTIONARY FLOOD CONTROL <a href="http://floodbreak.com">http://floodbreak.com</a>	
SERIAL		PRODUCT			
THE INFORMATION CONTAINED IN THIS DRAWING IS THE SOLE INTELLECTUAL PROPERTY OF <b>FLOODBREAK, LLC.</b> , AND IS COVERED BY U.S. PATENTS AT PAT: <a href="http://floodbreak.com/patents/">HTTP://FLOODBREAK.COM/PATENTS/</a> AND PATENTS PENDING. ANY REPRODUCTION IN PART OR AS A WHOLE WITHOUT THE WRITTEN PERMISSION OF <b>FLOODBREAK, LLC.</b> IS PROHIBITED.				NAME	DATE
				DRAWN	
				CHECKED	
				APPROVED	
<b>DO NOT SCALE DRAWING</b>				SHEET SIZE A	DRAWING
				SCALE N/A	REV 1
				SHEET 5 OF 10	



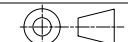


**ELEVATION RELATIVE TO CONCRETE**

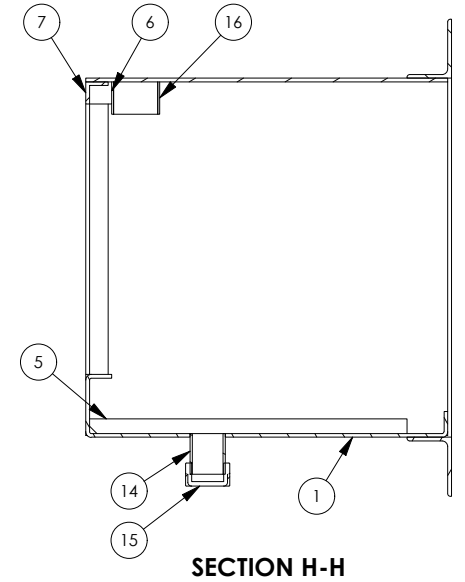
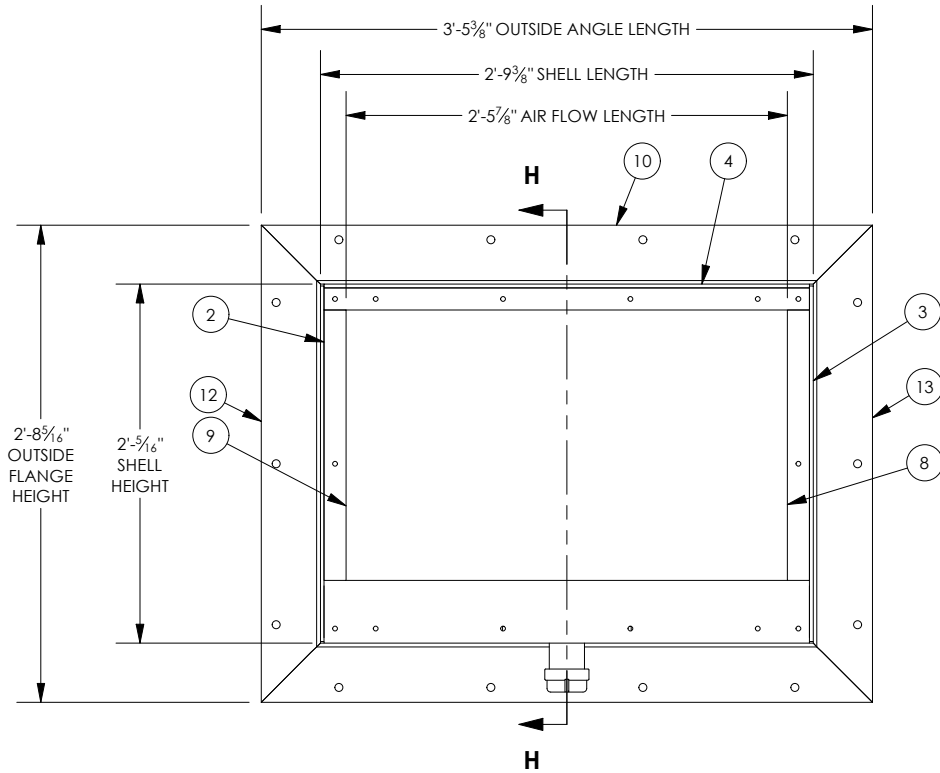


**SECTION G-G**

FINISH		CONTRACT		<b>FloodBreak</b>		
SERIAL		PRODUCT		<b>REVOLUTIONARY FLOOD CONTROL</b>		
THE INFORMATION CONTAINED IN THIS DRAWING IS THE SOLE INTELLECTUAL PROPERTY OF <b>FLOODBREAK, LLC.</b> , AND IS COVERED BY U.S. PATENTS AT PAT: <a href="http://floodbreak.com/patents/">HTTP://FLOODBREAK.COM/PATENTS/</a> AND PATENTS PENDING. ANY REPRODUCTION IN PART OR AS A WHOLE WITHOUT THE WRITTEN PERMISSION OF <b>FLOODBREAK, LLC.</b> IS PROHIBITED.				NAME	DATE	
				DRAWN		
				CHECKED		
				APPROVED		
<b>DO NOT SCALE DRAWING</b>				SHEET SIZE	DRAWING	
				A	REV 1	
				SCALE	SHEET	
				N/A	6 OF 10	



# SHELL DETAILS



ITEM	QTY	TITLE	MATERIAL	ITEM	QTY	TITLE	MATERIAL
1	1	BOX BOTTOM PLATE	AL 5052 1/4"	9	1	VERT MESH ANGLE	AL 6061 1 1/2" x 1 1/2" x 1/4"
2	1	BOX SIDE PLATE	AL 5052 1/4"	10	1	HORIZ MOUNT ANGLE	AL 6061 4"x3"x1/4"
3	1	BOX SIDE PLATE	AL 5052 1/4"	11	1	HORIZ MOUNT ANGLE	AL 6061 4"x3"x1/4"
4	1	BOX TOP PLATE	AL 5052 1/4"	12	1	VERT MOUNT ANGLE	AL 6061 4"x3"x1/4"
5	4	BOX TUBING	AL 6061 1" SQ x 1/8"	13	1	VERT MOUNT ANGLE	AL 6061 4"x3"x1/4"
6	4	BUMP STOP	AL 6061 1 1/2" SQ x 1/2"	14	1	2 INCH MNPT CONNECTOR	AL PIPE
7	1	HORIZ MESH ANGLE	AL 6061 1 1/2" x 1 1/2" x 1/4"	15	1	2 INCH FNPT DRAIN PLUG	AL PLUG
8	1	VERT MESH ANGLE	AL 6061 1 1/2" x 1 1/2" x 1/4"	16	2	CORNER RADIUS SEAL	AL 6061

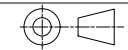
## SHELL DETAILS

FINISH		CONTRACT	
SERIAL		PRODUCT	
THE INFORMATION CONTAINED IN THIS DRAWING IS THE SOLE INTELLECTUAL PROPERTY OF <b>FLOODBREAK, LLC.</b> , AND IS COVERED BY U.S. PATENTS AT PAT: <a href="http://floodbreak.com/patents/">HTTP://FLOODBREAK.COM/PATENTS/</a> AND PATENTS PENDING. ANY REPRODUCTION IN PART OR AS A WHOLE WITHOUT THE WRITTEN PERMISSION OF <b>FLOODBREAK, LLC.</b> IS PROHIBITED.		NAME	DATE
		DRAWN	
		CHECKED	
		APPROVED	
<b>DO NOT SCALE DRAWING</b>		SHEET SIZE	DRAWING
		A	
		SCALE	N/A
		SHEET	7 OF 10
		REV	1

**FloodBreak**

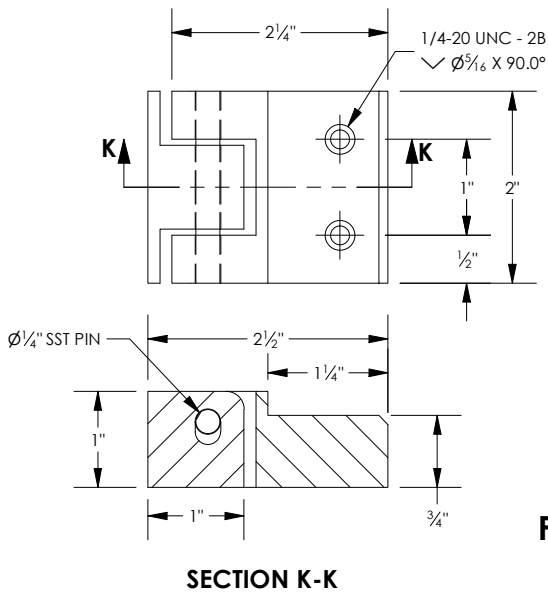
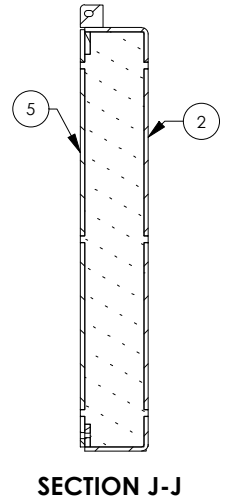
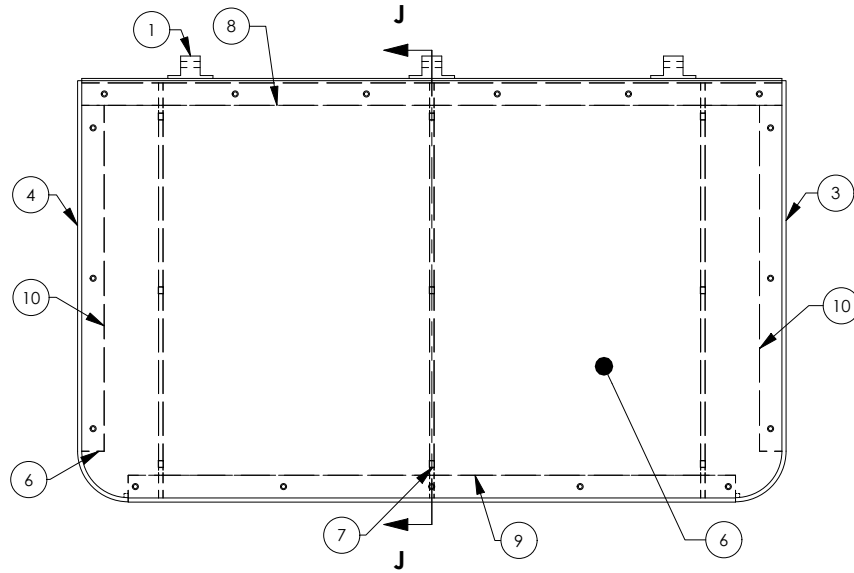
REVOLUTIONARY FLOOD CONTROL  
<http://floodbreak.com>

**DO NOT SCALE DRAWING**



7 OF 10

ITEM	QTY	TITLE	MATERIAL	ITEM	QTY	TITLE	MATERIAL
1	3	PANEL HINGE	AL 6061	6	1	PANEL CCF	CLOSED-CELL FOAM
2	1	PANEL LOWER PLATE	AL 5052 3/16"	7	3	PANEL RIB	AL 5052 3/16"
3	1	PANEL SIDE PLATE-R	AL 5052 3/16"	8	1	PANEL NUT PLATE REAR	AL 5052 1/4"
4	1	PANEL SIDE PLATE-L	AL 5052 3/16"	9	1	PANEL NUT PLATE FRONT	AL 5052 1/4"
5	1	PANEL TOP PLATE	AL 5052 3/16"	10	2	PANEL NUT PLATE SIDE	AL 5052 1/4"

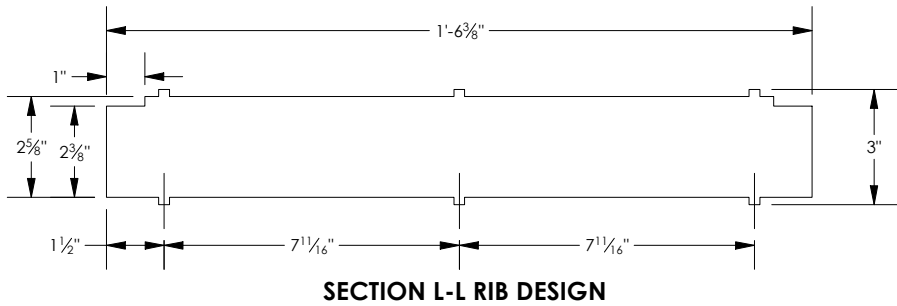
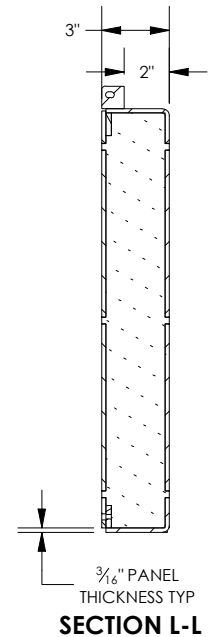
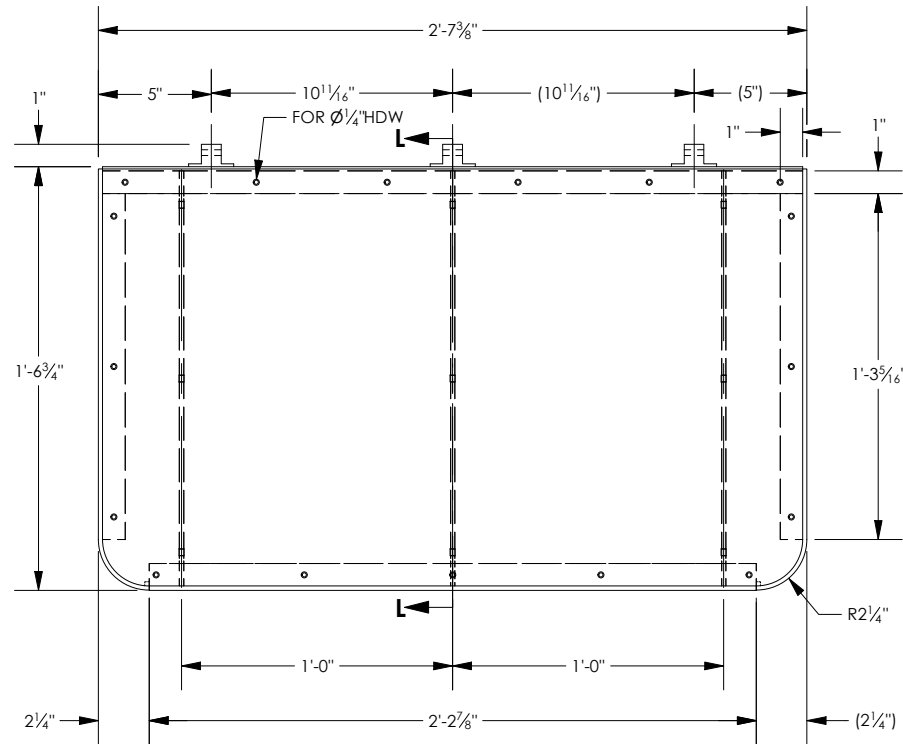


**PANEL AND HINGE  
DETAIL**

FINISH		CONTRACT		<b>FloodBreak</b> REVOLUTIONARY FLOOD CONTROL <a href="http://floodbreak.com">http://floodbreak.com</a>	
SERIAL		PRODUCT			
THE INFORMATION CONTAINED IN THIS DRAWING IS THE SOLE INTELLECTUAL PROPERTY OF <b>FLOODBREAK, LLC.</b> , AND IS COVERED BY U.S. PATENTS AT PAT: <a href="http://floodbreak.com/patents/">HTTP://FLOODBREAK.COM/PATENTS/</a> AND PATENTS PENDING. ANY REPRODUCTION IN PART OR AS A WHOLE WITHOUT THE WRITTEN PERMISSION OF <b>FLOODBREAK, LLC.</b> IS PROHIBITED.		NAME	DATE	TITLE	
		DRAWN			
		CHECKED			
		APPROVED			
<b>DO NOT SCALE DRAWING</b>				SHEET SIZE	DRAWING
				A	
				SCALE	N/A
				SHEET 8 OF 10	
				REV	1

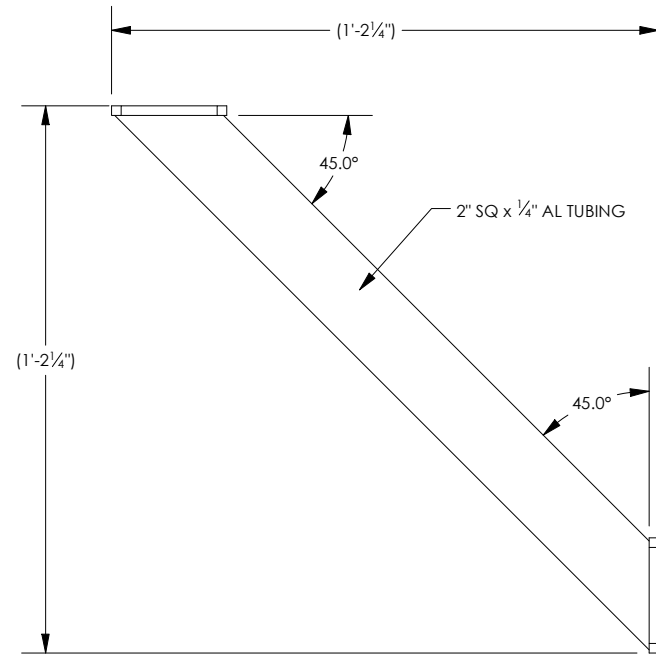
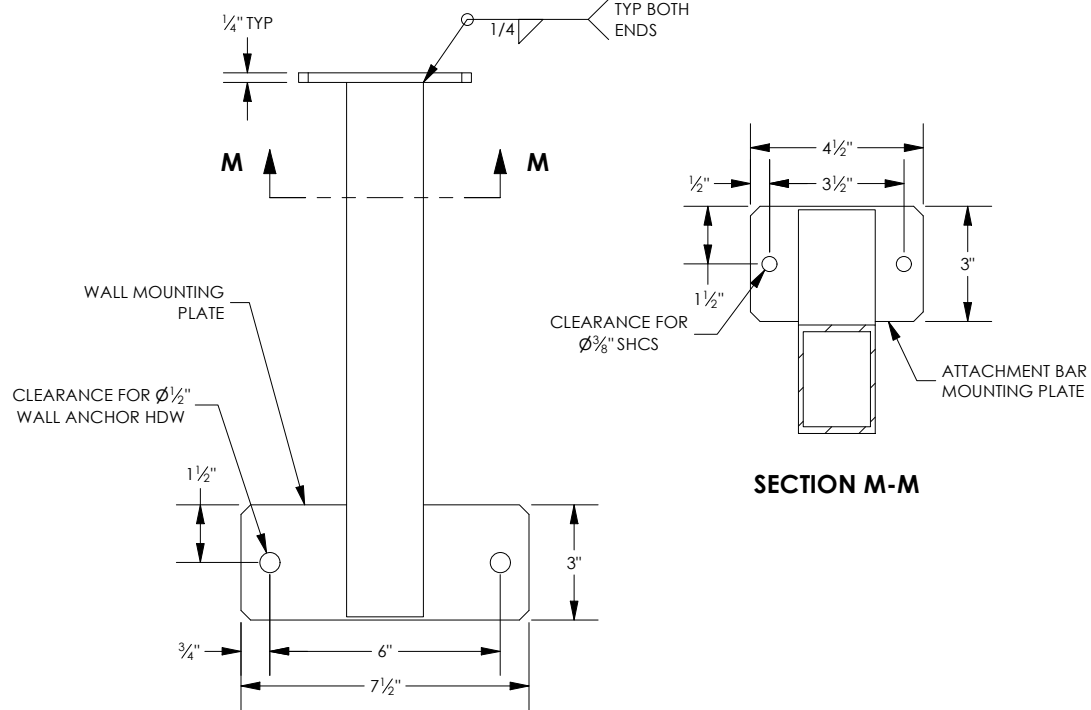


# PANEL FABRICATION LAYOUT

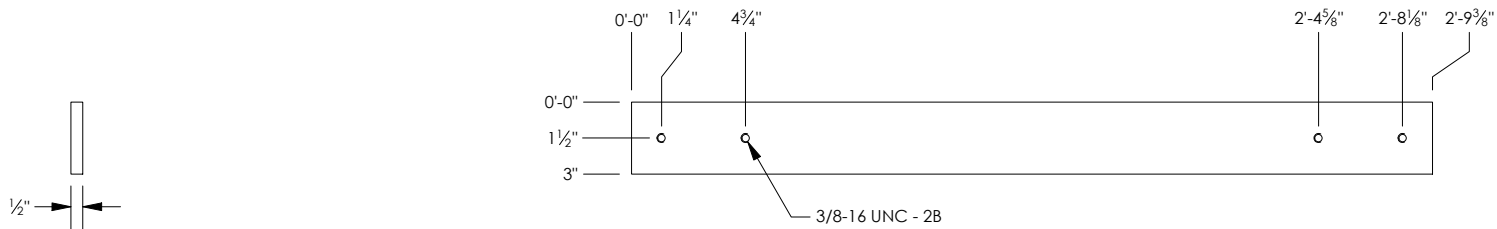


FINISH		CONTRACT			<b>FloodBreak</b>	
SERIAL		PRODUCT				REVOLUTIONARY FLOOD CONTROL
THE INFORMATION CONTAINED IN THIS DRAWING IS THE SOLE INTELLECTUAL PROPERTY OF <b>FLOODBREAK, LLC.</b> , AND IS COVERED BY U.S. PATENTS AT PAT: <a href="http://floodbreak.com/patents/">HTTP://FLOODBREAK.COM/PATENTS/</a> AND PATENTS PENDING. ANY REPRODUCTION IN PART OR AS A WHOLE WITHOUT THE WRITTEN PERMISSION OF <b>FLOODBREAK, LLC.</b> IS PROHIBITED.			NAME	DATE	TITLE	
			DRAWN			
			CHECKED			
			APPROVED			
<b>DO NOT SCALE DRAWING</b>			SHEET SIZE	DRAWING	REV	
			A		1	
			SCALE	N/A	SHEET	
					9 OF 10	

# TYPICAL SUPPORT KNEE BRACE WELDMENT



# SUPPORT KNEE ATTACHMENT BAR



FINISH		CONTRACT		<b>FloodBreak</b> REVOLUTIONARY FLOOD CONTROL <a href="http://floodbreak.com">http://floodbreak.com</a>	
SERIAL		PRODUCT			
THE INFORMATION CONTAINED IN THIS DRAWING IS THE SOLE INTELLECTUAL PROPERTY OF <b>FLOODBREAK, LLC.</b> , AND IS COVERED BY U.S. PATENTS AT PAT: <a href="http://floodbreak.com/patents/">HTTP://FLOODBREAK.COM/PATENTS/</a> AND PATENTS PENDING. ANY REPRODUCTION IN PART OR AS A WHOLE WITHOUT THE WRITTEN PERMISSION OF <b>FLOODBREAK, LLC.</b> IS PROHIBITED.				NAME	DATE
				DRAWN	
				CHECKED	
				APPROVED	
<b>DO NOT SCALE DRAWING</b>				SHEET SIZE A	DRAWING
				SCALE N/A	REV 1
				SHEET 10 OF 10	